

# QUICKIE KIDZ BIKE (EIQKB)

July, 2003

|   |                                     |
|---|-------------------------------------|
| <b>Account Information:</b> _____ <b>Account No.:</b> _____ | <b>Drop Ship/Ship To:</b>           |
| Date: _____   | Name: _____                         |
| P.O.# _____   | Address: _____                      |
| Buyer: _____  | City: _____ State: _____ Zip: _____ |
| Marked For: _____   | Phone: ( _____ ) _____              |

## QUICKIE KIDZ BIKE

### CONSUMER INFORMATION

Age: \_\_\_\_\_  
 Weight: \_\_\_\_\_  
 Height: \_\_\_\_\_  
 Disability Level/Type: \_\_\_\_\_  
 Type and Height of Cushion To Be Used: \_\_\_\_\_

Please explain any impairment of arm or hand function:  
 \_\_\_\_\_

### FRAMES

#### Frame Type

#### Dimensions From Rider (See Diagram A)

A. Top of Shoulder to Center of Palm: \_\_\_\_\_  
 B. Top of Shoulder to Seat: \_\_\_\_\_  
 C. Lower Leg Length: \_\_\_\_\_  
 D. Upper Leg Length: \_\_\_\_\_  
 E. Hip Width (side to side): \_\_\_\_\_

#### Gears

- 072SE1 1 Speed ..... \$1,240
- 072SE2 3 Speed ..... \$1,500

#### Colors

- 072C2 Black ..... NC
- 072C10 Black Opal ..... NC
- 072C1 Blue ..... NC
- 072C38 Blue Opal ..... NC
- 072C12 Blue Velvet ..... NC
- 072C36 Candy Blue ..... NC
- 072C35 Candy Red ..... NC
- 072C39 Candy Turquoise ..... NC
- 072C6 Forest Green ..... NC
- 072C4 Midnight Purple ..... NC
- 072C37 Orange ..... NC
- 072C5 Pearl Pink ..... NC
- 072C40 Razzleberry ..... NC
- 072C11 Toxic Green ..... NC
- 072C8 Yellow ..... NC

#### Seat Width

- 072W3 12" ..... NC
- 072W4 13" ..... NC
- 072W5 14" ..... NC

#### Seat Depth (Adjustable) <sup>1</sup>

- 072SD3 10" ..... NC
- 072SD4 11" ..... NC
- 072SD5 12" ..... NC
- 072SD6 13" ..... NC
- 072SD7 14" ..... NC

### Hand Crank Height

- 072HH2 Standard (15"-20") ..... NC

### Crank

- 072HY8 Easy Power Quad Handle ..... \$45
- 072HY4 Horizontal Handle ..... \$45
- 072HY6 Vertical Handle Small ..... NC

### SEATING

#### Cushion

- 072CU1 Cushion 2" ..... \$95

### BACKREST

#### Back Type (Angle Adjustable)

- 072BT1 Folding Backrest ..... \$60
- 072BT3 Non Folding Backrest ..... NC

#### Back Height

- 072B33 13" ..... NC
- 072B35 15" ..... NC

### FOOTREST

#### Extension Tube

- 072E4 Standard (7.5"-12") ..... NC

#### Footrest

- 072F31 Angle Adjustable F/Up Footplate with Toe Lps .... NC

### AXLE AND WHEEL

#### Axle

- 072AX1 Quick Release Axles ..... \$65
- 072AX17 Threaded Axles ..... NC

#### Rear Wheel Rim/Size

- 072RW4 20" Spoke ..... \$110
- 072RW3 20" Mag ..... NC

#### Rear Wheel Tire

- 072RT10 Knobbie Tire ..... \$40
- 072RT9 Pneumatic Tire (Black) ..... NC

#### Front Wheel Rim/Size

- 072FR9 20" Front Wheel Spoke ..... NC

#### Front Wheel Tire

- 072FW2 Front Tire Black Pneumatic ..... NC
- 072FW4 Front Tire Knobbie ..... \$25

### ACCESSORIES

#### Backpack

- 072A1 Black Utility Backpack ..... \$55
- 072A2 Black/Charcoal Backpack - Kids ..... \$50

### FOOTNOTES

1. Seat depth is adjustable. Please select factory setting.

CUSTOMER SERVICE  
 Phone: (800) 333-4000  
 Fax: (800) 300-7502

7477 East Dry Creek Parkway ♦ Longmont, CO 80503  
 To easily calculate your wheelchair specifications and to learn more about  
 the seating options offered by Jay, visit us at [www.sunrisemedical.com](http://www.sunrisemedical.com)



**Seat Pouch**

- 072A11 Black ..... \$45

**Helmet**

- 072A59 Medium Black ..... \$65
- 072A60 Medium White ..... \$65
- 072A57 Large Black ..... \$65
- 072A58 Large White ..... \$65

**Misc**

**Chest Strap (Choose Width and Length)**

**Width**

- 072A104 2" Wide ..... \$45
- 072A107 4" Wide ..... \$45

**Length**

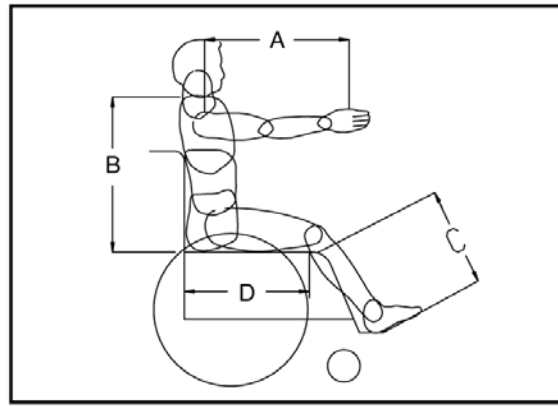
- 36" Length Short ..... NC
- 48" Length Regular ..... NC
- 072SG4 Plastic Side Guard (Kids) 1..... \$120
- 072A98 Tire Pump ..... \$80
- 072A99 Water Bottle with Cage ..... \$20

**Tire Sealer**

- 072NF3 Front Tire Sealer (No Flats) ..... \$15
- 072NF1 Rear Tire Sealer (No Flats) ..... \$30

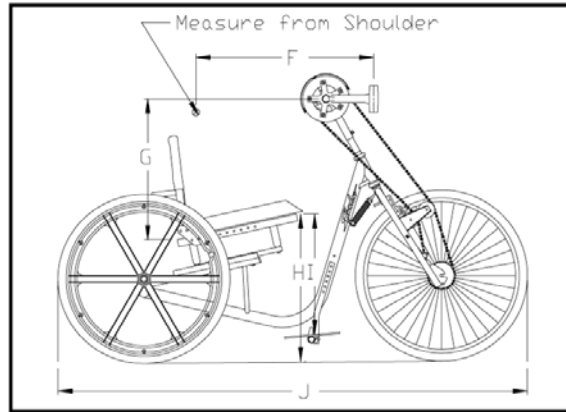
**TOTAL CHAIR PRICE:**

\$ \_\_\_\_\_



**Diagram A** ↑

(Note: These dimensions needed for set up.)



- Note:G Dimension = 15"-20" \***
- H Dimension = 17.5"**
- I Dimension = 7.5"-12" \***
- J Dimension = 55"**
- F Dimension = 19"-27" \***
- \* Range Varies By Seat Depth**

**FOOTNOTES**

- 1. Not available with 10" seat depth.