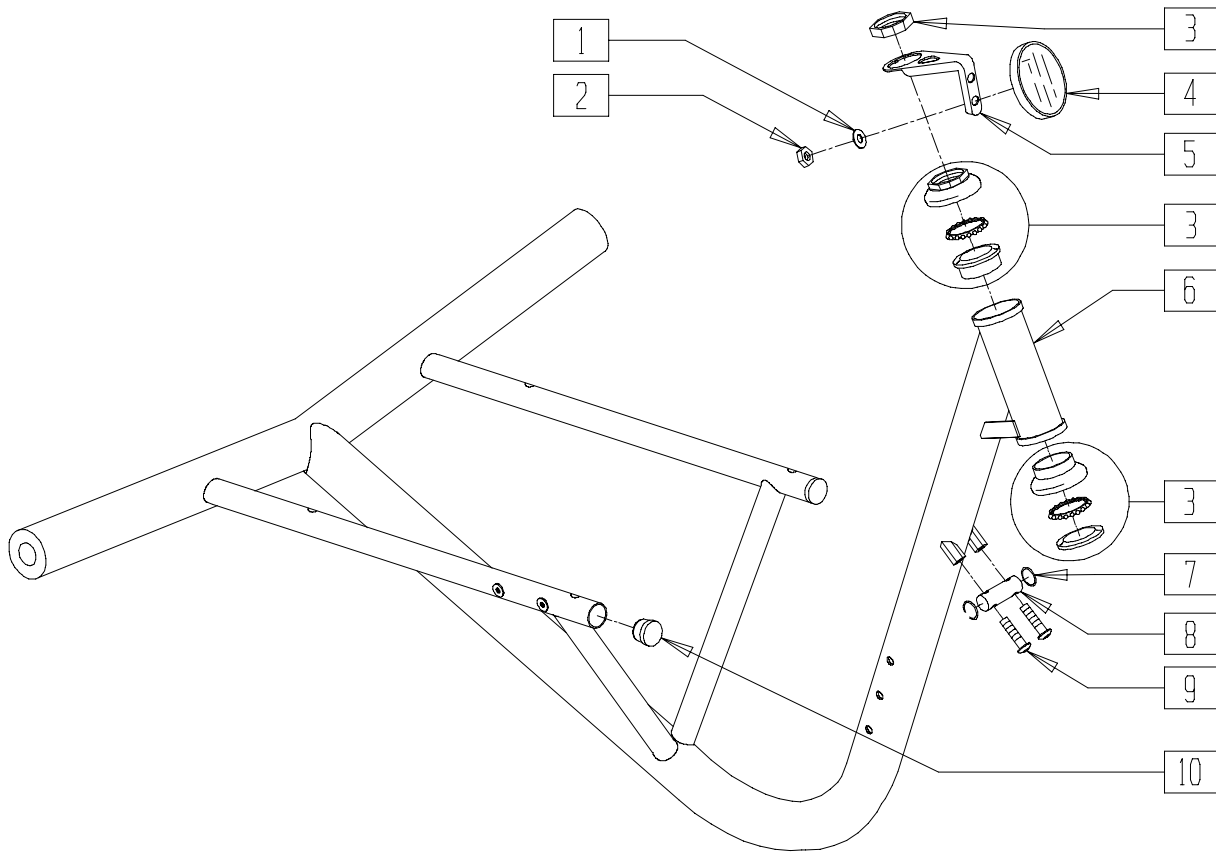


Quickie Kidz Bike and Mach 2

IN THIS SECTION

Frame (Quickie Kidz Bike/Mach 2).....	6.1	Backrest and Seat Upholstery (Quickie Mach 2).....	6.5
Seat Frame (Quickie Kidz Bike/Mach 2)	6.2	Footplate (Quickie Kidz Bike/Mach 2)	6.6
Backrest (Quickie Kidz Bike/Mach 2)	6.3	Fork Assembly (Quickie Kidz Bike/Mach 2)	6.7
Folding Backrest (Quickie Kidz Bike/Mach 2)	6.4	Head Assembly (Quickie Kidz Bike/Mach 2)	6.8
Backrest and Seat Upholstery (Quickie Kidz Bike)	6.5		

FRAME (QUICKIE KIDZ BIKE/MACH 2)

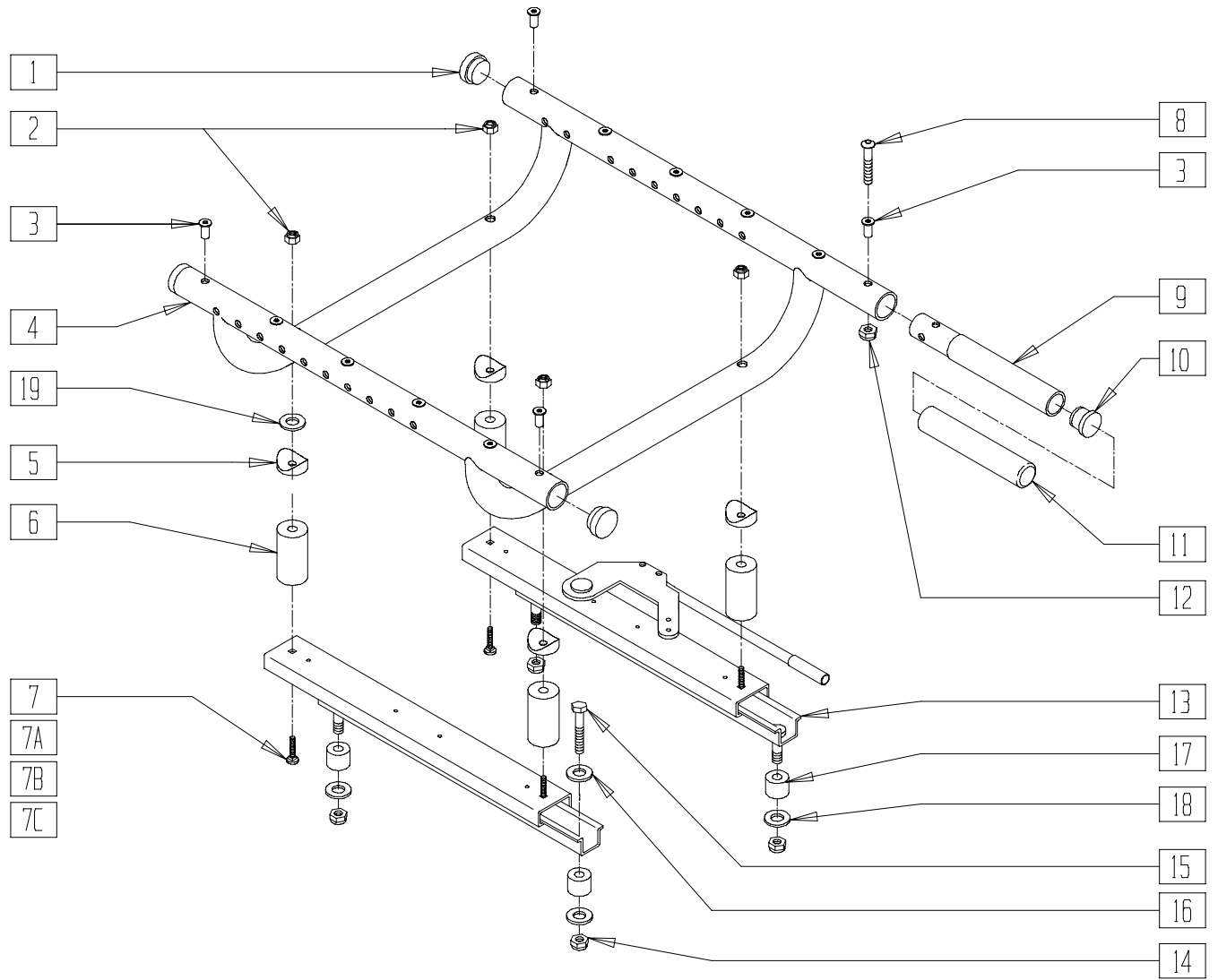


LC00X02

ITEM	NUMBER	DESCRIPTION	QTY
3	443026	HEADSET 26.4 x 30.2 BL	1
6	527760,	MAIN FRAME M2	1
	527761		
	527762	MAIN FRAME QKB (KIDZ BIKE)	
7	342075	1/2" ID x 11/16" OD O-RING	2

ITEM	NUMBER	DESCRIPTION	QTY
8	500196	COMPENSATOR BRACKET	1
9	226120	1/4-20 x 1 BH C/S	2
10	560761	3/4" INSERT PLUG .049 (18 GA)	2
1,2,4,5	923484	REFLECTOR KIT 4 WAY	

SEAT FRAME (QUICKIE KIDZ BIKE/MACH 2)



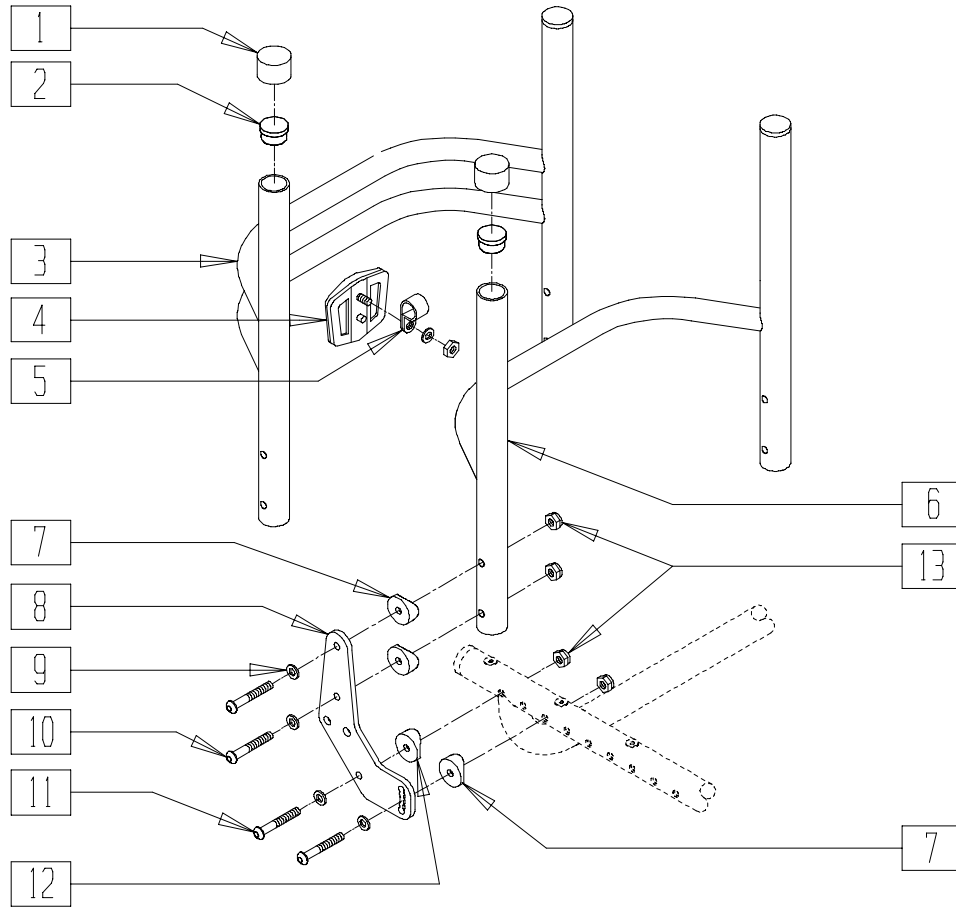
LC00X03B

ITEM	NUMBER	DESCRIPTION	QTY
1	561002	1" INSERT PLUG .083	4
2	202103	5/16-18 NYLOCK NUT THICK	4
3	341497	10-32 x .020-.130 RIVNUT GOLD	12
1,3,4	660103-660110	SEAT FRAME ASSEMBLY M2/M3 13"-20"	
	660300	SEAT FRAME ASSEMBLY QKB 12"-14" (KIDZ BIKE)	
	660302		
5	561006	1" SADDLE 5/16" HOLE	4
6	483154	2" SEAT SPACER M2/M3	4
7	226177	5/16-18 x 1 1/2 CARR BLT	4
7A	226199	5/16-18 x 3 1/2 CARR BLT	4
7B	226187	5/16-18 x 3/4 CARR BLT	4
7C	226185	5/16-18 x 2 1/2 CARR BLT	4
8	226130	1/4-28 x 1 1/2 BH C/S	1
9	521255	TRANSFER HANDLE 3D	1,2

ITEM	NUMBER	DESCRIPTION	QTY
10	561007	7/8" INSERT PLUG .083	1,2
11	560628	4 1/2 x .840 x .125 FOAM GRIP	1,2
12	201100	1/4-28 NYLOCK NUT THIN	1
13	442092	SEAT SLIDE 7" TRAVEL	1
14	202110	5/16-18 NUT THIN	4
15	222098	5/16-24 x 1 1/4 HEX C/S (M2/M3)	4
	222099	5/16-24 x 1 1/2 HEX C/S (KIDZ BIKE)	
16	263110	5/16 AN WASHER FLAT THIN	4
17	561184	SPACER 3/8 x .3 (KIDZ BIKE)	4
18	561016	1" WASHER 5/16" HOLE (KIDZ BIKE)	4
19*	561016	1" WASHER 5/16" HOLE (KIDZ BIKE)	4
8-12	883050	TRANSFER HANDLE W/FOAM AND HARDWARE	

NOTE: TRANSFER HANDLE NOT AVAILABLE FOR QUICKIE KIDZ BIKE.
 * ITEM 19 IS USED ON KIDZ BIKE IN PLACE OF ITEMS 5 AND 6.

BACKREST (QUICKIE KIDZ BIKE/MACH 2)



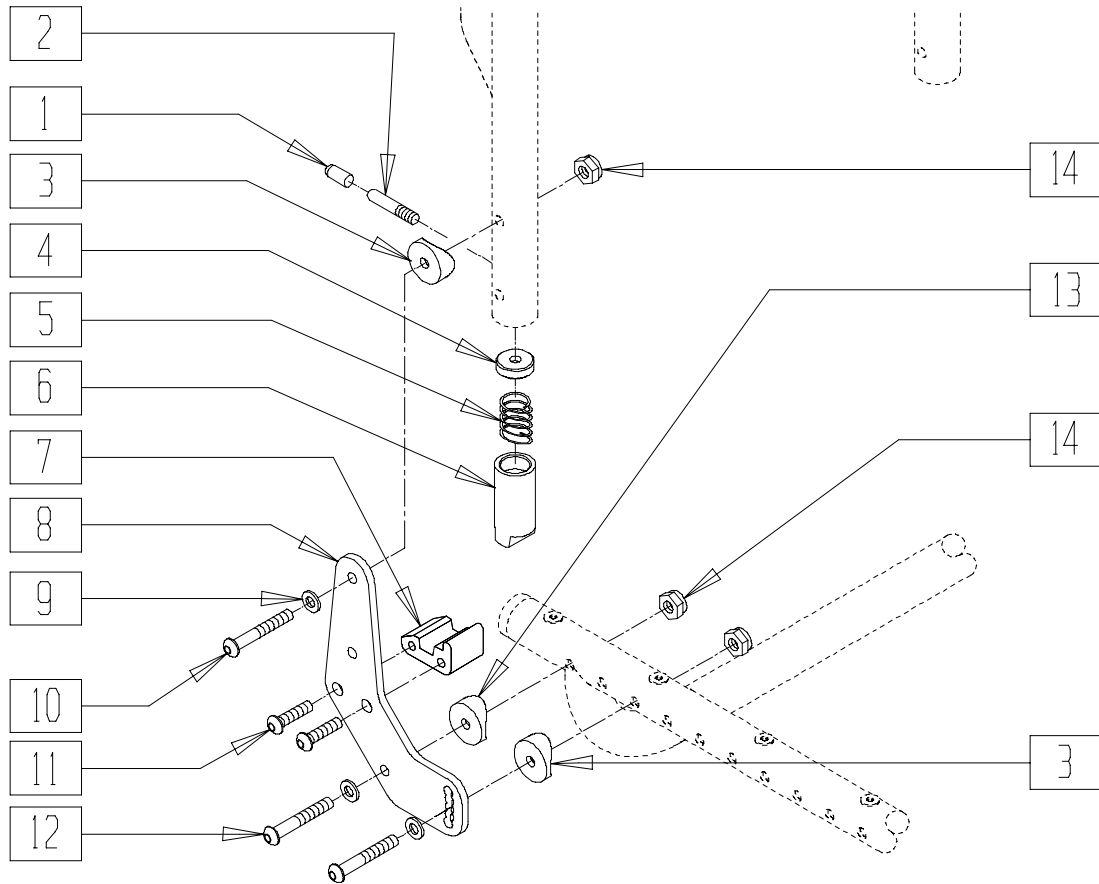
LC00X03

ITEM	NUMBER	DESCRIPTION	QTY
1	561014	1" MED CAP	2
2	561002	1" INSERT PLUG .083	2
1-3	680133-680140	BACK ASSEMBLY 13"-20" TALL M3/M2	
4	349630	REFLECTOR RR WHEEL FROM 2350	1
5	341708	3/4 NYLON CLAMP BLACK	1
1,2,6	680113-680120	BACK ASSEMBLY 13"-20" LOW M3/M2	
	680123-680130	BACK ASSEMBLY 13"-20" MED M3/M2	
	680260-680262	BACK ASSEMBLY 12"-14" X-LOW QKB (KIDZ BIKE)	
	680263-680265	BACK ASSEMBLY 12"-14" LOW QKB (KIDZ BIKE)	

ITEM	NUMBER	DESCRIPTION	QTY
7	561004	1" SADDLE 1/4" HOLE	4
8	500195	BACK PLATE KIDZ/EX	2
9	262100-QU	1/4 AN WASHER FLAT	8
10	226140	1/4-28 x 1 3/4 BH C/S	6
11	226140	1/4-28 x 1 3/4 BH C/S (W/OUT POSITIONING BELT)	2
	226150	1/4-28 x 2" BH C/S (W/POSITIONING BELT)	
12	561086	1" HALF SADDLE 1/4" HOLE	2
13	201110	1/4-28 NYLOCK NUT	8
7-12	880621	BACK PLATE NF W/HARDWARE	
	882621	BACK PLATE NF W/HARDWARE M2/QB W/BELT	

MACH 2 AND QUICKIE KIDZ BIKE CAN BE USED WITHOUT BELT.

FOLDING BACKREST (QUICKIE KIDZ BIKE/MACH 2)

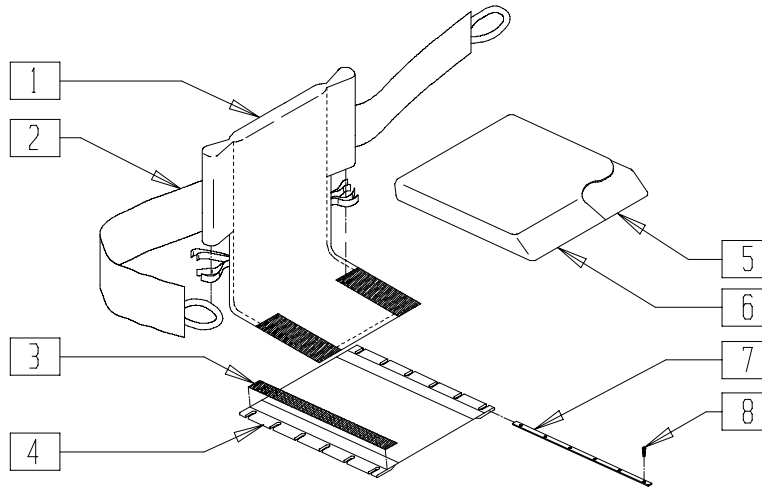


LC00X03A

ITEM	NUMBER	DESCRIPTION	QTY
1	560502	ANTI-TIP LEVER COVER	2
2	481084	BACK REL PIN Z2/QT/EX	2
3	561004	1" SADDLE 1/4" HOLE	4
4	483020	S/A SPRING RETAINER	2
5	321110	S/A LATCH SPRING	2
6	483806	BACKREST LATCH SLIDER KIDZ	2
7	550340, 550341	BACKREST LATCH BLOCK P2/KZ (EA)	2
8	500195	BACK PLATE KIDZ/EX	2

ITEM	NUMBER	DESCRIPTION	QTY
9	262100-QU	1/4 AN WASHER FLAT	6
10	226140	1/4-28 x 1 3/4 BH C/S	4
11	226182	5/16-18 x 1 BH C/S	4
12	226150	1/4-28 x 2 BH C/S	2
13	561086	1" HALF SADDLE 1/4" HOLE	2
14	201110	1/4-28 NYLOCK NUT	6
1-14	880687, 880688	BACK PLATE W/HARDWARE M2 (EA)	

BACKREST AND SEAT UPHOLSTERY (QUICKIE KIDZ BIKE)

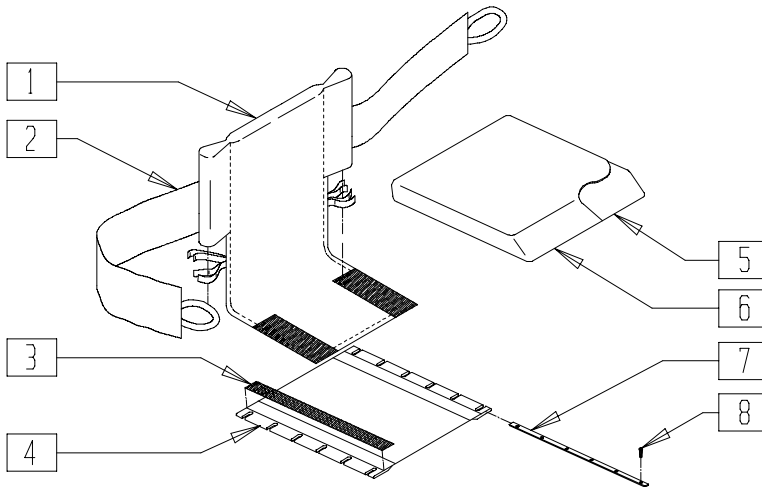


LC00X06

ITEM	NUMBER	DESCRIPTION	QTY
1	680041-680061	BACK UPH QKB 12" X-SHT - 14" X-SHT	1
2	740162	CHEST STRAP 2" KIDZ SHT QKB	1
	740172	CHEST STRAP 4" KIDZ SHT QKB	
3	901170	SEAT SLING VELCRO® STRIP	2
4	720105, 720303	SEAT SLING	1

ITEM	NUMBER	DESCRIPTION	QTY
5	105102-105312	SEAT FOAM 12" x 10" x 2" - 14" x 13" x 2"	1
6	701102-701312	SEAT COVER 12" x 10" x 2" - 14" x 13" x 2"	1
5,6	700102-700312	SEAT CUSHION (W/COVER AND FOAM) 12" x 10" x 2" - 14" x 13" x 2"	
7	505104	SEAT RAIL 15"	2
8	281122	10-32 x 3/4 PAN PHIL	12

BACKREST AND SEAT UPHOLSTERY (QUICKIE MACH 2)

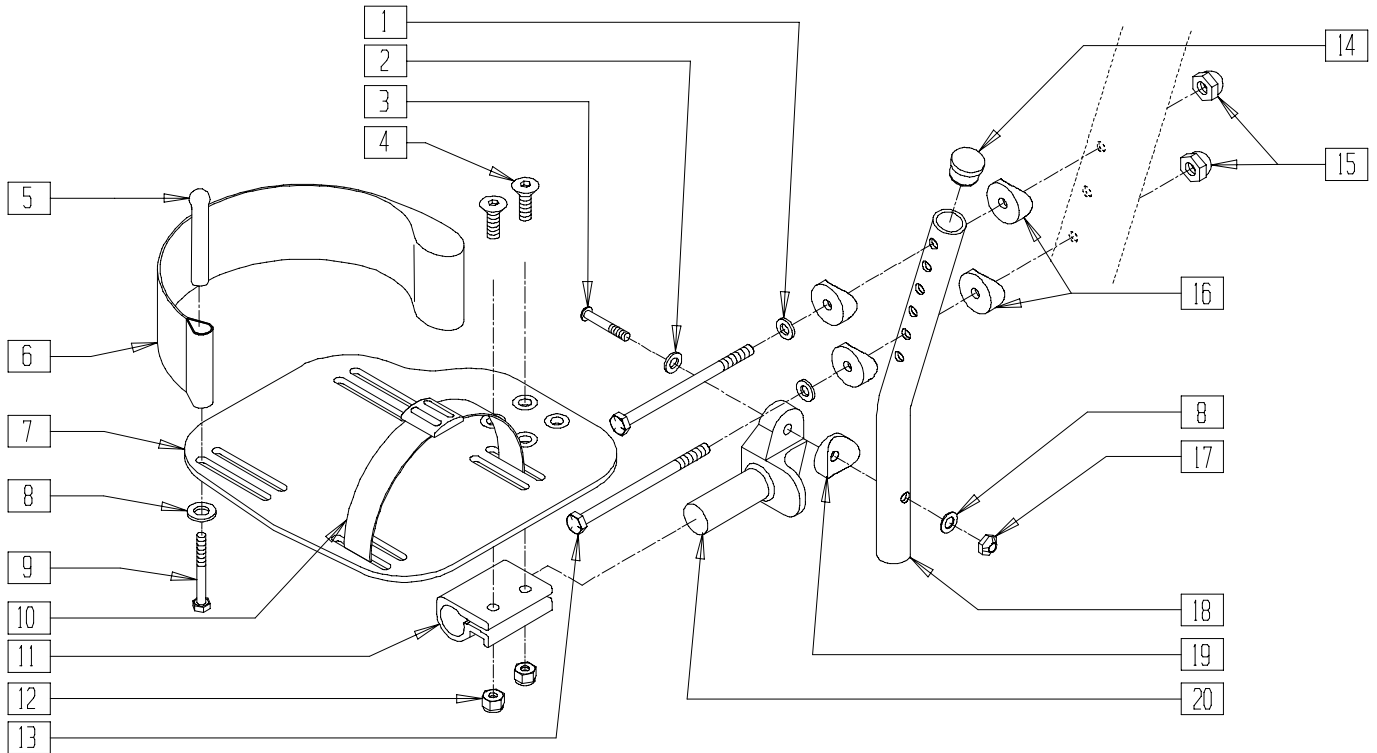


LC00X06

ITEM	NUMBER	DESCRIPTION	QTY
1	680043-680070	BACK UPH 13" LOW - 20" TALL M2/M3	1
2	740157	CHEST STRAP 2" M2	1
	740158	CHEST STRAP 4" M2	
3	901170	SEAT SLING VELCRO® STRIP	2
4	720207-720903	SEAT SLING 13" x 17" - 20" x 17"	1

ITEM	NUMBER	DESCRIPTION	QTY
5	105222-105922	SEAT FOAM 13" x 12" x 2" - 20" x 16" x 2"	1
6	701222-701922	SEAT COVER 13" x 12" x 2" - 20" x 16" x 2"	1
5,6	700222-700922	SEAT CUSHION (W/COVER AND FOAM) 13" x 12" x 2" - 20" x 16" x 2"	1
7	505108	SEAT RAIL 17"	1
8	281122	10-32 x 3/4 PAN PHIL	12

FOOTPLATE (QUICKIE KIDZ BIKE/MACH 2)

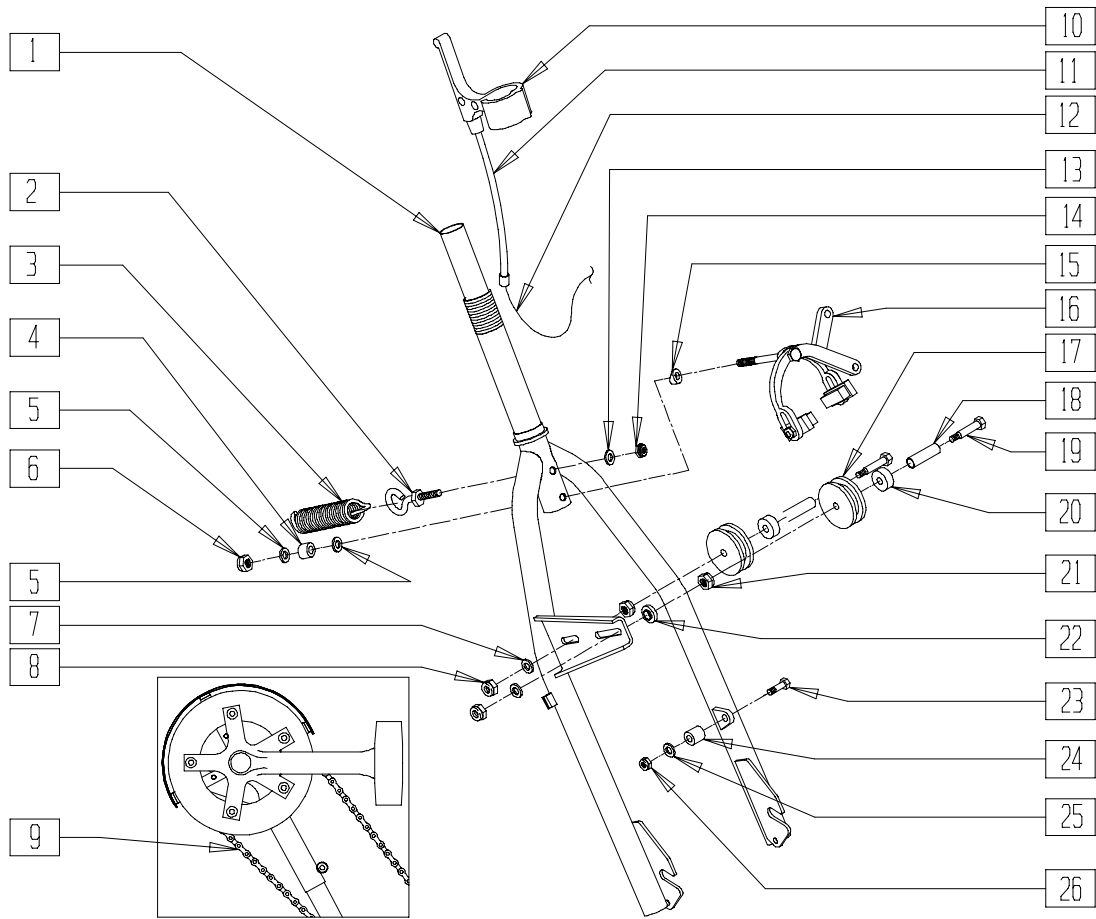


LC00X23

ITEM	NUMBER	DESCRIPTION	QTY
1	262110	1/4 AN WASHER FLAT THIN	2
2	262120	1/4 SAE WASHER	2
3	226167	1/4-28 x 1.625 BH C/S BLK	2
4	226099	1/4-28 x 7/8 FH C/S	4
5	561040	HEEL LOOP PEG	4
6	741252	HL LP ADLT ADJ F/PLT 16-17 (EA) (M2)	2
	741153	HL 18-20 CMPST/14-15 ANG ADJ (KIDZ BIKE)	
7	500662, 500663	ADULT ANGLE ADJ F/PLT (EA) (M2)	2
	500660, 500661	ADULT ANGLE ADJ F/PLT (EA)(KIDZ BIKE)	
	8	262110	
9	221110	1/4-20 x 1 HEX C/S	4
10	740260	TOE/ANKLE STRAP ADJ ADLT F/PLT	2
11	550350	3/4" CLAMP ADJ FOOTPLATE	2
12	201100	1/4-28 NYLOCK NUT THIN	4
13	221142	1/4-20 x 3 3/4 HEX C/S	4

ITEM	NUMBER	DESCRIPTION	QTY
14	561000-QU	3/4" INSERT PLUG .083	2
15	201129	1/4-20 ACORN NUT ZP	2
16	561003	3/4" SADDLE THIN	8
17	201120	1/4-28 AUTOMATION NUT	2
18	521080	FOOTREST TUBE SHORT M2	2
	521081	FOOTREST TUBE STANDARD M2	
19	561055	3/4" SADDLE 1" OD	1
20	541002, 541003	FOOTREST MNTG BRKT 3/8 RAD (EA)	1
	1,4,13, 15-17	921234 F/PLT EXT TUBE ASSM SHORT M2	
1-9,11,12, 18-21	921235	F/PLT EXT TUBE ASSM STD M2	
	921233	F/PLT EXT TUBE ASSM QKB	
	820465, 820467	FOOTPLATE ADULT ADJ 16/17 HL (EA) (MACH 2)	
1-9,11,12, 18-21	820461, 820463	FOOTPLATE ADULT ADJ 14/15 HL (EA) (KIDZ BIKE)	
	921323, 921321	FP ADLT ADJ 16/17 HL (PR) (MACH 2) FP ADLT ADJ 14/15 HL (PR) (KIDZ BIKE)	

FORK ASSEMBLY (QUICKIE KIDZ BIKE/MACH 2)



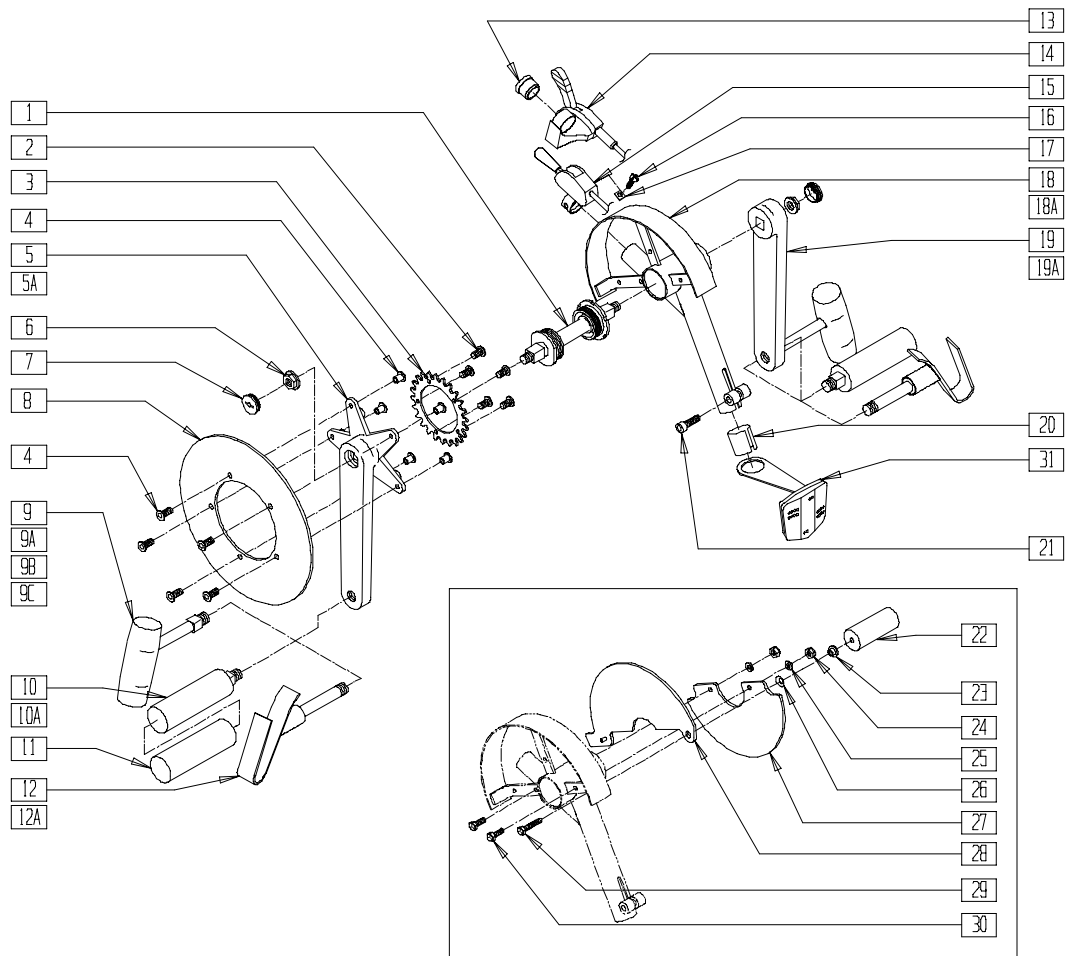
LC00X08

ITEM	NUMBER	DESCRIPTION	QTY
1	880704	FORK ASSEMBLY PNTD SHORT M2	1
	880705	FORK ASSEMBLY PNTD STD M2	
	880707	FORK ASSEMBLY PNTD QKB	
2	341707	5/16-18 x 3 1/4 EYE BOLT	1
3	321115	3 3/4" x .812 EXT SPRING	1
4	483027	1/4 x 1/4 ALUM SPACER BLK	1
5	262100-QU	1/4 AN WASHER FLAT	3
7	263100	5/16 AN WASHER FLAT	2
8	202100-MJ	5/16-24 NYLOCK NUT THIN	2
9	442014	CHAIN BLK 116L	1
10	442088	LEVER BRAKE LOCKING RX-5	1
11	134160	HOUSING BRAKE	1
12	342070	CABLE BRAKE MTN	1
13	263100	5/16 AN WASHER FLAT	1
14	202103	5/16-18 NYLOCK NUT THICK	1

ITEM	NUMBER	DESCRIPTION	QTY
6,15,16	444038	BRK DIA CMPE 730 FRNT ARC	
17	442342	WHEEL PULLEY 2 1/4	2
18	442103	SPCR PLY WHEEL M3 DS (MACH 2)	2
	442101	SPCR PLY WHEEL QKB (KIDZ BIKE)	
19	222099	5/16-24 x 1 1/2 HEX CLS	2
20	560244	PULLEY WHEEL STOP M2	2
21	202108	5/16-24 HEX JAM NUT	2
22	483520	PULLEY WHEEL BUSHING M2	1,2
23	221105	1/4-20 x 3/4 HEX C/S	1
24*	481097	BRAKE ARM SPACER 3 SPD M2	1
25**	262100	1/4 AN WASHER FLAT	1
26	201105	1/4-20 NYLOCK NUT THIN	1
4-6,10-12,15,16	442006	BRAKE 2ND CALIPER PRE ASSEMBLY	

NOTE: ITEM 20 NOT USED ON QUICKIE KIDZ BIKE.
 * ITEM 24 USED ON 3 SPEED ONLY
 ** ITEM 25 USED ON 7 SPEED ONLY

HEAD ASSEMBLY (QUICKIE KIDZ BIKE/MACH 2)



LC00X05

ITEM	NUMBER	DESCRIPTION	QTY
1,6	881681	SPINDAL ASSEMBLY M2	1
2,4	341566	CHAIN RING BOLT KIT	1
3	442011	CHAIN RING 26 TOOTH	1
5	444160	CRANK ARM STD PROFILE 170mm (MACH 2)	1
7	561171	CRANK ARM DUST CAPS	2
8	444107	GUARD CHAINRING 48 INNER	1
9	880636, 880637	HANDLE STD ASSEMBLY 1 1/4 (EA)	1
9A	881640, 440073	HANDLE VERT STD ASSM 1 3/8 (EA)	1
10	880638, 880639	HANDLE HORIZONTAL ASSM (EA)	1
11	560659	FOAM GRIP HORIZONTAL HANDLE	2
12	442080, 442081	HANDLE EP VINYL (EA)	1
13	560735	7/8" ROUND TUBE PLUG	1
14	342063	7 SPD SHIFTER CLICK BOX ASSM	1
15	362213	3 SPD HUB SHIFTER	1
16	362219	3 SPD HUB SHIFTER BOLT	1
17	362218	3 SPD HUB SHIFTER NUT	1
18	617020	UPPER MAIN FRAME STD M2	1
18A	617021	UPPER MAIN FRAME SHORT M2	1
19	444161	CRANK ARM STD PROFILE 170mm (MACH 2)	1

ITEM	NUMBER	DESCRIPTION	QTY
5A,19A	444091	CRNK ARM STD PROFILE 152mm (KIDZ BIKE) (PAIR)	1
20	330300	BRASS SHIM 2 11/16 x 1 1/2 x .010"	1
21	201342	6 x 1 x 20mm SOC C/S	1
22	444133	MOUNT COMPUTER	1
23	483159	CHAIN GUARD BUSHING M2	1
24	200101	10-32 NYLOCK NUT THIN	2
25	262099	3/16 ALUM WASHER BACKUP	1
26	262134	5/16 WASHER SPRING DISC	1
27	560183	INNER CHAIN GUARD BOTTOM M2	1
28	560184	INNER CHAIN GUARD TOP M3	1
29	281122	10-32 x 3/4 PAN PHIL	1
30	226211	10-32 x 1/2 HEX C/S SS	2
31	349632	REFLECTOR FRONT FROM 2350	1
1,6,18,21, 23-28,30	880657	HEAD ASSEMBLY SINGLE SPEED QKB	
1,6,15,18, 21,23-30	880651	HEAD ASSEMBLY 3 SPEED STD M2	
1,6,14,18, 21,23-30	880653	HEAD ASSEMBLY 7 SPEED STD M2	
1,6,15,18A, 21,23-30	881651	HEAD ASSEMBLY 3 SPEED SHRT M2	
1,6,14,18A, 21,23-30	881653	HEAD ASSEMBLY 7 SPEED SHRT M2	

NOTE: ITEM 22 NOT USED ON QUICKIE KIDZ BIKE.
NOTE: SEE ACCESSORIES SECTION FOR CYCLOMETERS.

