

QUICKIE MACH 2 (EIM2)

July, 2003

Account Information: _____ Account No.: _____	Drop Ship/Ship To:
Date: _____	Name: _____
P.O.# _____	Address: _____
Buyer: _____	City: _____ State: _____ Zip: _____
Marked For: _____	Phone: (_____) _____

QUICKIE MACH 2

CONSUMER INFORMATION

Age: _____
Weight: _____
Height: _____
Disability Level/Type: _____
Type and Height of Cushion to be Used: _____

Please explain any impairment of arm or hand function:

Speed

- 048SE2 3 Speed \$1,750
- 048SE3 7 Speed \$1,850

FRAMES

Dimensions From Drawing

Dimensions must be completed.

(See diagram at end of Order Form)

- A. Top of Shoulder to Center of Palm: _____"
- B. Top of Shoulder to Seat: _____"
- C. Lower Leg Length: _____"
- D. Upper Leg Length: _____"
- E. Hip Width (side to side): _____"

Frame Color

- 048C2 Black NC
- 048C10 Black Opal NC
- 048C10 Blue NC
- 048C10 Blue Opal NC
- 048C12 Blue Velvet NC
- 048C12 Candy Blue NC
- 048C12 Candy Red NC
- 048C12 Candy Turquoise NC
- 048C6 Forest Green NC
- 048C4 Midnight Purple NC
- 048C4 Orange NC
- 048C5 Pearl Pink NC
- 048C11 Toxic Green NC
- 048C8 Yellow NC

Custom Colors

- 048C15 Purple Chase \$300

Frame Width ¹

- 048W4 13" NC
- 048W5 14" NC
- 048W6 15" NC
- 048W7 16" NC
- 048W8 17" NC
- 048W9 18" NC
- 048W10 19" NC

Frame Width, cont'd

- 048W11 20" NC

Frame Length

- 048FL15 Standard NC
- 048FL3 Short NC

Adjustable Sling Depth

- 048SD5 12" NC
- 048SD6 13" NC
- 048SD7 14" NC
- 048SD8 15" NC
- 048SD9 16" NC

Seat Height

- 048HT19 Standard NC
- 048HT20 Tall \$75

Hand Crank Height

- 048HH2 Standard NC
- 048HH1 Short NC

Crank

- 048HY8 Easy Power Quad Handle \$45
- 048HY4 Horizontal Handle \$45
- 048HY5 Vertical Handle NC
- 048HY6 Vertical Handle Small NC

Handle Position

- 048HP2 Handle Position Crank NC
- 048HP1 Handle Position Row NC

SEATING

Cushion

- 048CU1 Cushion 2" \$95

Back Type

- 048BT1 Folding Backrest \$60
- 048BT3 Non Folding Backrest NC

Back Height

- 048B40 21" NC
- 048B37 18" NC
- 048B34 15" NC

FOOTREST

Adjustable Extension Tube

- 048E4 Standard NC
- 048E1 Short NC

Footrest

- 048F3 Adult Angle Adjustable Footplate NC

Footrest Accessories

- 048A110 Toe Loop NC

FOOTNOTES

1. Seat width should be the same as the rider's present wheel chair width.

CUSTOMER SERVICE
Phone: (800) 333-4000
Fax: (800) 300-7502

7477 East Dry Creek Parkway ♦ Longmont, CO 80503
To easily calculate your wheelchair specifications and to learn more about
the seating options offered by Jay, visit us at www.sunrisemedical.com



AXLE AND WHEEL

Axle		
<input type="checkbox"/>	048AX1 Quick Release	\$65
<input type="checkbox"/>	048AX17 Threaded	NC
Rear Wheel Size		
<input type="checkbox"/>	048WS6 24"	NC
<input type="checkbox"/>	048WS7 26" 1,2.....	\$60
Rear Wheel Tire		
<input type="checkbox"/>	048RT6 High Pressure Clincher Tire 2.....	NC
<input type="checkbox"/>	048RT11 Off-Road Tire 2.....	\$40
<input type="checkbox"/>	048RT9 Pneumatic Tire Black	NC
Rear Wheel Rim		
<input type="checkbox"/>	048RR1 Mag 3.....	NC
<input type="checkbox"/>	048RR3 Spoke	\$110
Front Wheel Rim/Size		
<input type="checkbox"/>	048FR4 24"	NC
<input type="checkbox"/>	048FR5 26" 2.....	\$35
Front Wheel Tire		
<input type="checkbox"/>	048FW1 High Pressure Clincher	NC
<input type="checkbox"/>	048FW5 Off-Road (Knobbie) 2.....	\$25
<input type="checkbox"/>	048FW2 Black Pneumatic	NC

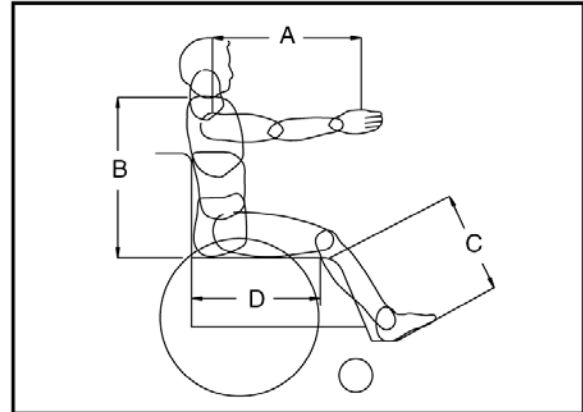
ACCESSORIES

Misc		
<input type="checkbox"/>	048A1 Black Utility Backpack	\$55
<input type="checkbox"/>	048A105 Chest Strap 2" (60" Length)	\$45
<input type="checkbox"/>	048A107 Chest Strap 4" (54" Length)	\$45
<input type="checkbox"/>	048A104 Chest Strap 2" (54" Length)	\$45
<input type="checkbox"/>	048A108 Chest Strap 4" (60" Length)	\$45
<input type="checkbox"/>	048A95 Computer with Cadence	\$190
<input type="checkbox"/>	048A93 Front Fender 4.....	\$50
<input type="checkbox"/>	048A61 Helmet Large/X-Large Black	\$65
<input type="checkbox"/>	048A62 Helmet Large/X-Large Wht	\$65
<input type="checkbox"/>	048A63 Helmet Medium/Large Black	\$65
<input type="checkbox"/>	048A64 Helmet Medium/Large Wht	\$65
<input type="checkbox"/>	048SG3 Plastic Side Guard Regular	\$120
<input type="checkbox"/>	048SG4 Plastic Side Guard Kids	\$120
<input type="checkbox"/>	048A22 Positioning Belt 40" Velcro	\$50
<input type="checkbox"/>	048A21 Positioning Belt 34" Velcro	\$50
<input type="checkbox"/>	048A11 Seat Pouch with Silk Screen	\$40
<input type="checkbox"/>	048A98 Tire Pump	\$80
<input type="checkbox"/>	048A84 Tool Kit with Pouch	\$95
<input type="checkbox"/>	048A100 Tow Bar	\$85
<input type="checkbox"/>	048TH2 Transfer Handle Right Side	\$20
<input type="checkbox"/>	048TH1 Transfer Handle Both Side	\$35
<input type="checkbox"/>	048TH3 Transfer Handle Left Side	\$20
<input type="checkbox"/>	048A99 Water Bottle with Cage	\$20

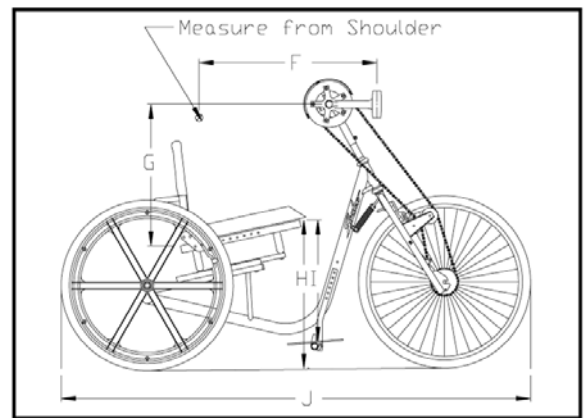
Tire Sealer

<input type="checkbox"/>	048NF3 Front (no Flats)	\$15
<input type="checkbox"/>	048NF1 Rear (no Flats)	\$30

TOTAL CHAIR PRICE \$ _____



****Note: These Dimensions are required for set up.**



Standard Frame:

J = 65" ; F = 23"-30" ; I = 13.25"-17"

Short Frame:

J = 63" ; F = 21" - 28" ; I = 11" - 14.5"

FOOTNOTES

1. When ordering 26" front wheels must also order 26" rear wheels.
2. Only available with spoke wheels.
3. Only available with 24" wheels.
4. Not available with Knobbie Tires.

CUSTOMER SERVICE
Phone: (800) 333-4000
Fax: (800) 300-7502

7477 East Dry Creek Parkway ♦ Longmont, CO 80503
To easily calculate your wheelchair specifications and to learn more about
the seating options offered by Jay, visit us at www.sunrisemedical.com

