

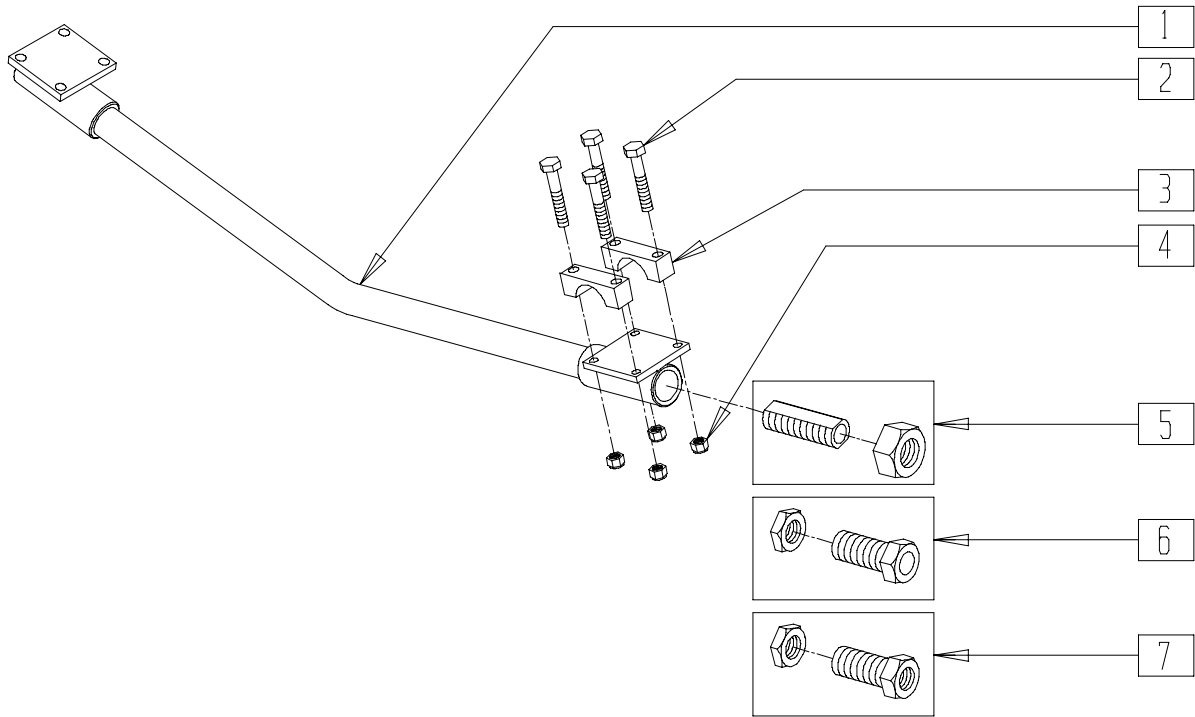
# Axles

## IN THIS SECTION

Axle Assembly (Quad Rugby) (Disc.).....	9.1	Axle Sleeve (Quickie Heat/Kidz Bike/Mach 2).....	9.3
Axle Assembly (Quickie Heat) .....	9.2	Axle Sleeve (Quickie 3D/All Court/Matchpoint) .....	9.4
Quick-release Axles		Threaded Axle.....	9.4
(Quickie All Court/Matchpoint/Kidz Bike/Mach 2) .....	9.2	Quad-release Axle Nut (Push-button).....	9.5
Push Button Axle			
(Quickie Kidz Bike/Mach 2) .....	9.3		

# AXLE ASSEMBLY (QUAD RUGBY)

(Discontinued 11/15/95 - parts only)

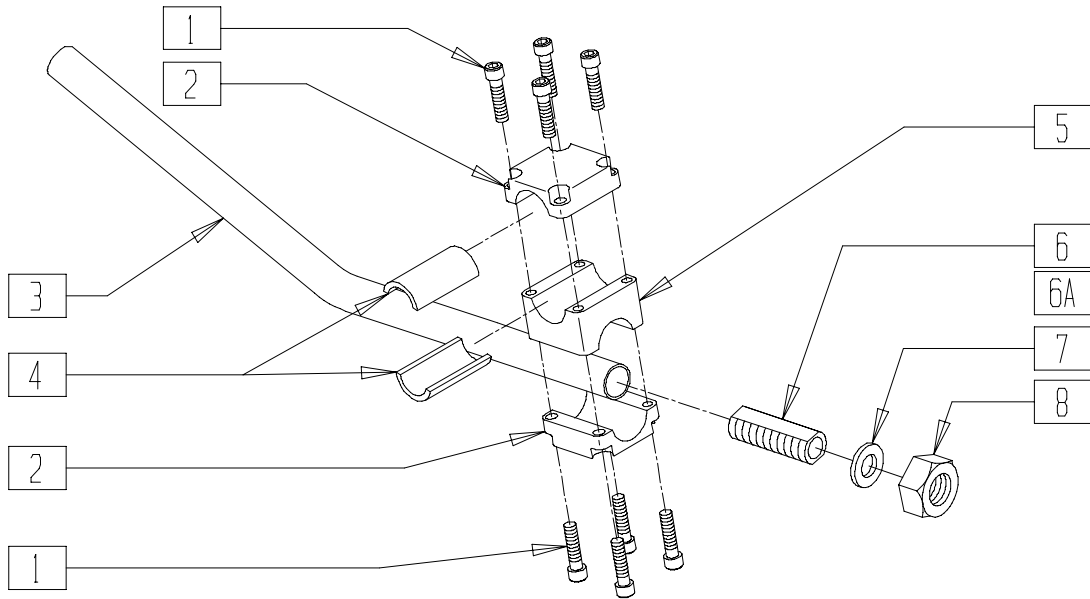


RBV00X20

ITEM	NUMBER	DESCRIPTION	QTY
1	525140-525145	CAMBER TUBE 0° -15° (SPECIFY WIDTH)	1
2	221133	1/4-28 x 1 1/2 G8 HEX C/S	4
3	550207	CAMBER TUBE MNTG CLAMP ANO	2
4	201136	1/4-20 NYLOCK NUT HIGH	4
5	481066 204000	AXLE SLEEVE SS SHORT 3/4-16 NUT	1

ITEM	NUMBER	DESCRIPTION	QTY
6	481410	AXLE SLEEVE PHIL WOOD 15/32 QR (FOR PHIL WOOD QR HUB)	1
7	481059	7/16" AXLE SLEEVE 3/4-16 SS (FOR PHIL WOOD HUB THRD)	1

# AXLE ASSEMBLY (QUICKIE HEAT)

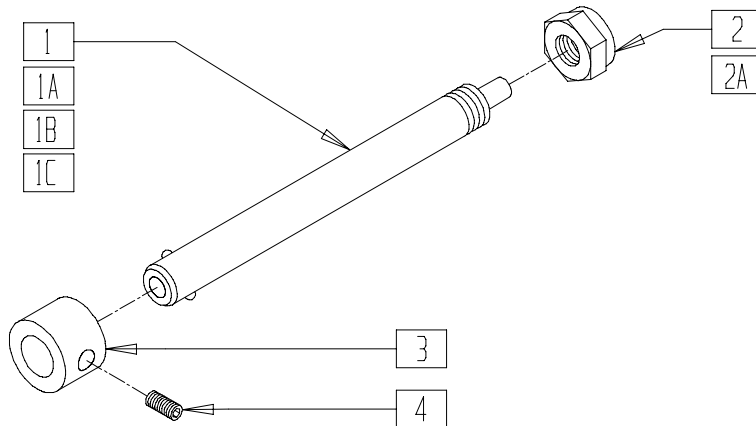


RBV00X16

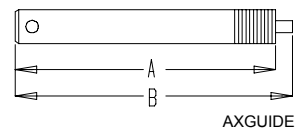
ITEM	NUMBER	DESCRIPTION	QTY
1	226107	1/4-28 x 7/8 SOC C/S	8
2	550211	AXLE CLAMP CAMBER TUBE	2
3	525200-525240	CAMBER TUBE	1
4	520029	SHIM CAMBER CLAMP HQR	2
5	550213	ANTI-TIP SADDLE LO-MNT GPS	1
6	481065	AXLE SLEEVE SS	2

ITEM	NUMBER	DESCRIPTION	QTY
6A	481069	AXLE SLEEVE 1.	2
7	265100	3/4 x 18 WASHER NARROW	2
8	204000	3/4-16 NUT	2
6-8	920116	AXLE SLEEVE W/HDWR GPS	
6A,7,8	920114	AXLE SLEEVE 1° W/HDWR	
1,2,5	880931	ANTI-TIP REC ASSEMBLY UNDER MOUNT GPS	

# QUICK-RELEASE AXLES (QUICKIE ALL COURT/MATCHPOINT/KIDZ BIKE/MACH 2)



## MEASURING GUIDE



PART NUMBER	"A"	"B"
920119	4 3/4"	5"
920129	5 3/8"	5 5/8"
920130	5 3/4"	6"
920137	5 3/4"	6"

AXLE0X01

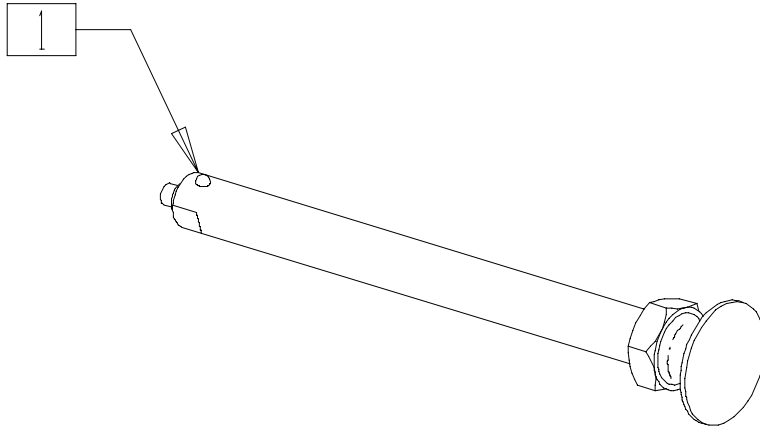
ITEM	NUMBER	DESCRIPTION	QTY
2	203100	1/2-20 NYLOCK NUT	1
2A	330010	1/2-20 NYLOCK NUT ALUM	1
3	483057	MAG AXLE SPACER W/HOLE	1
4	225100	1/4-20 x 1/4 SET SCREW	1
3,4	920117	MAG SPACER 6S W/SET SCREW	

ITEM	NUMBER	DESCRIPTION	QTY
1,2*	920119	QR AXLE MAG W/NUT	
1A,,2**	920129	QR AXLE W/NUT	
1B,2	920130	QR AXLE NON-RECESS HUB W/NUT	
1C,2A	920137	QR AXLE W/NUT TI	
1A,2-4	920138	QR AXLE W/SPACER FOR 6S MAG	

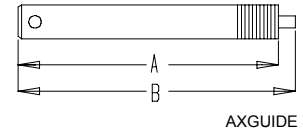
\* FOR CHAIRS WITH STANDARD SPOKE WHEELS, 920119 FITS SHADOW ONE PRIOR TO RD-9618 (9/10/96)

\*\* FOR CHAIRS WITH STANDARD SPOKE WHEELS, 920129 FITS SHADOW ONE BEGINNING 9/10/96 (RD-9618) AND ENDING 9/21/98

## PUSH BUTTON AXLE (QUICKIE KIDZ BIKE/MACH 2)



### MEASURING GUIDE



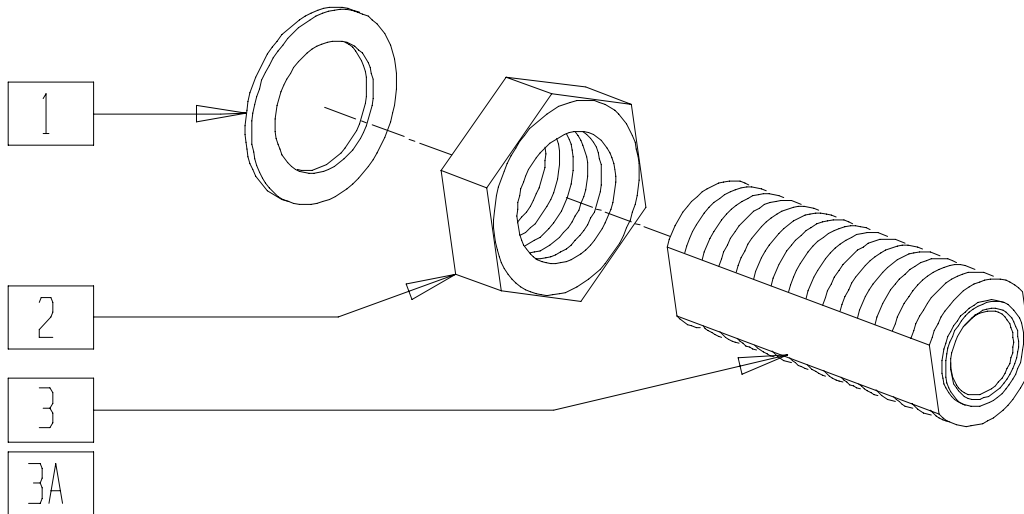
PART NUMBER	"A"	"B"
349057	5 3/16"	5 9/16"

AXLE0X04

ITEM	NUMBER	DESCRIPTION	QTY
1	349057*	AXLE PIN AND NUT CLEAR	1

\* USED ON STANDARD SPOKE WHEELS BEGINNING 9/21/98.

## AXLE SLEEVE (QUICKIE HEAT/KIDZ BIKE/MACH 2)



AXLEX05

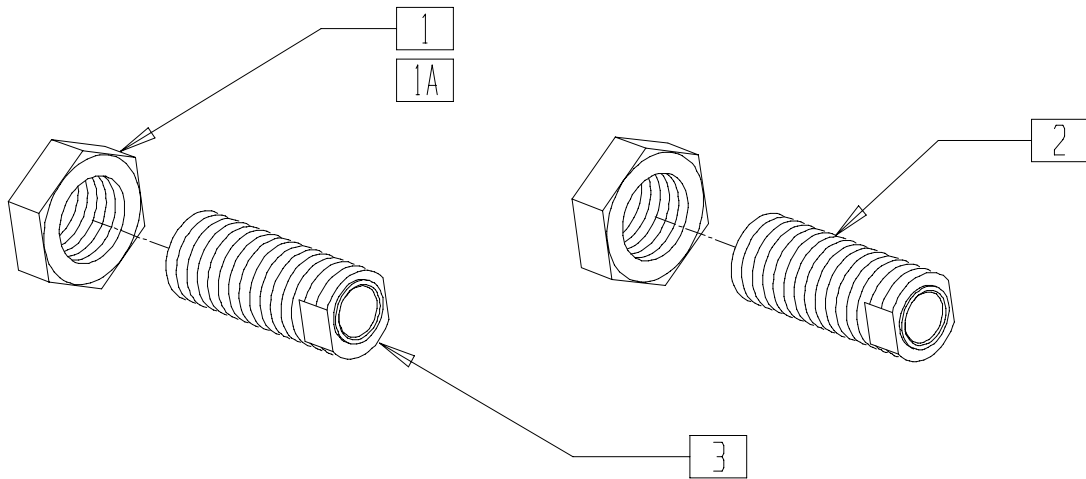
ITEM	NUMBER	DESCRIPTION	QTY
1	265100	3/4 x 18 WASHER NARROW	1
2	204000	1/4-16 NUT	1

ITEM	NUMBER	DESCRIPTION	QTY
3*	481066	AXLE SLEEVE SS SHORT	1
3A**	481065	AXLE SLEEVE SS	1

\* 481066 FITS SHADOW ONE PRIOR TO RD-9618 (9/10/96), SHADOW HEAT PRIOR TO HQR-9620 (9/10/96)

\*\* 481065 FITS SHADOW ONE BEGINNING RD-9618 (9/10/96), SHADOW HEAT BEGINNING HQR-9620 (9/10/96)

## AXLE SLEEVE (QUICKIE 3D/ALL COURT/MATCHPOINT)

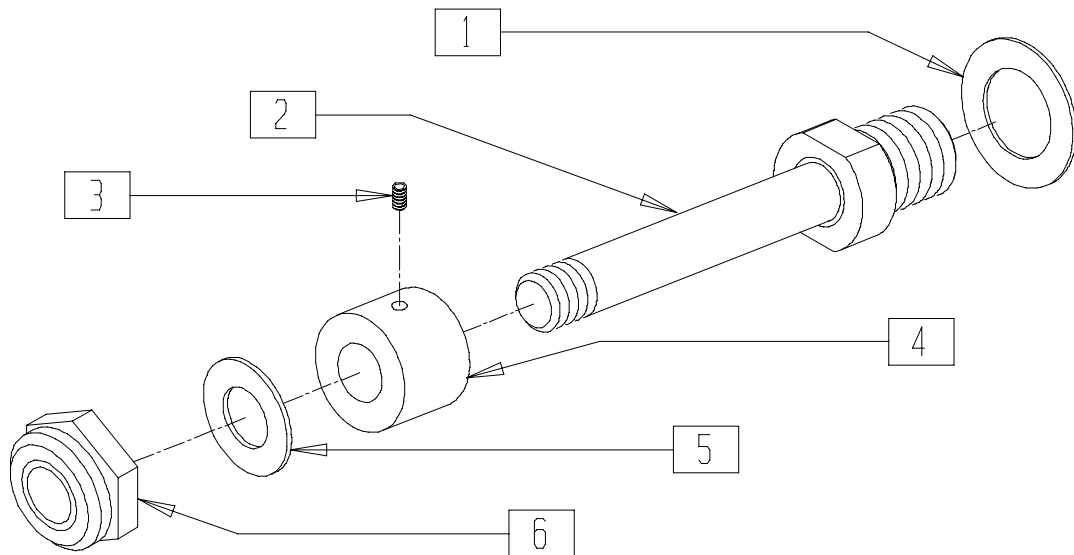


AXLEX06A

ITEM	NUMBER	DESCRIPTION	QTY
1	204005	7/8-14 NUT JAM	1
1A	204006	7/8-14 JAM NUT ALUM BLACK	1

ITEM	NUMBER	DESCRIPTION	QTY
2	481067	AXLE SLEEVE 7/8-14	1
3	481068	2ø AXLE SLEEVE 7/8-14 ECCENTRIC	1

## THREADED AXLE



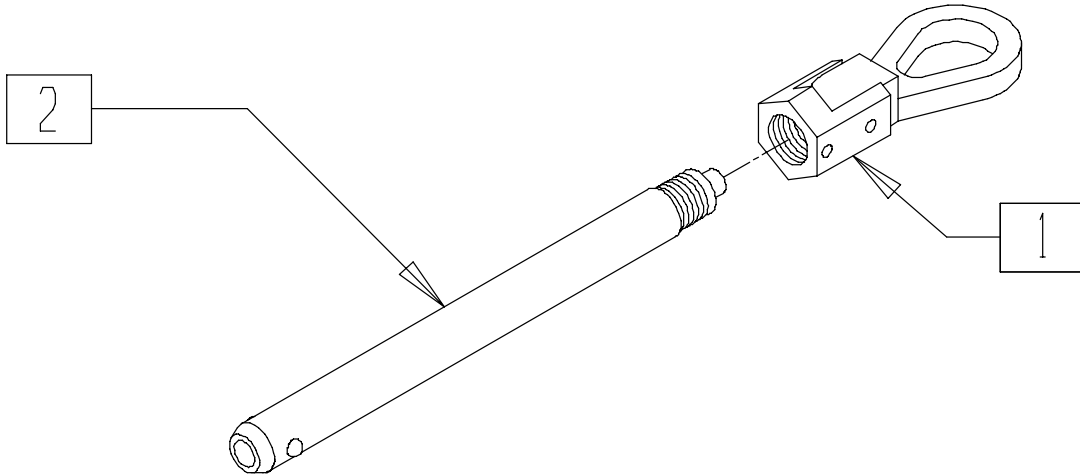
LC00X13

ITEM	NUMBER	DESCRIPTION	QTY
1	265100	3/4 x 18 WASHER NARROW	1
2	481731	THREADED AXLE M2	1
3	225100	1/4-20 x 1/4 SET SCREW	1

ITEM	NUMBER	DESCRIPTION	QTY
4	483057	MAG AXLE SPACER W/HOLE	1
5	264100	1/2 AN WASHER FLAT	1
6	203100	1/2-20 NYLOCK NUT	1

# QUAD-RELEASE AXLE NUT (PUSH-BUTTON)

(Effective 9/21/98)



AX0X027

ITEM	NUMBER	DESCRIPTION	QTY
1	920139	QUAD RELEASE AXLE NUT	1

ITEM	NUMBER	DESCRIPTION	QTY
1,2	922170	QR AXLE W/QUAD NUT PUSH BUTTON	