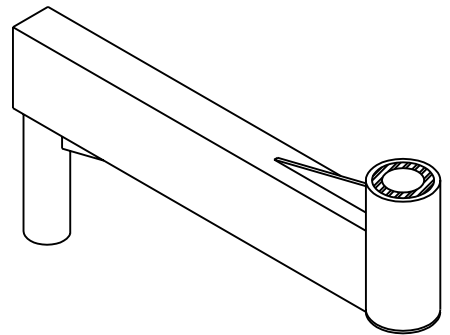
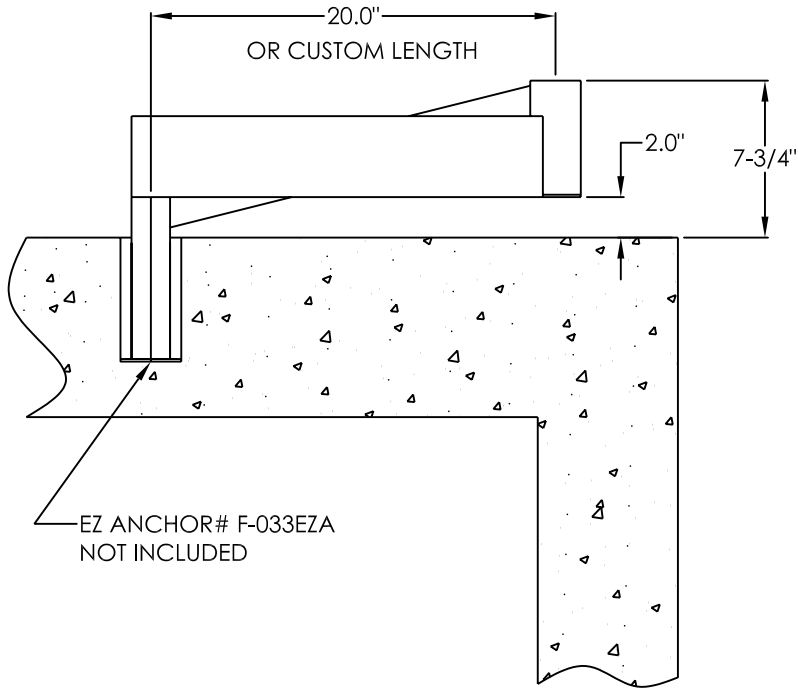


# EZ POOL LIFT™ EXTENSION ANCHOR



## SPECIFICATIONS

**THE AQUA CREEK EZ POOL LIFT EXTENSION ANCHOR SHALL BE AN ALL STAINLESS STEEL ANCHOR WITH A POLYOLYFIN PIVOT SLEEVE. THE ANCHOR EXTENSION SHALL BE CONSTRUCTED OF 2" x 2" x .120" STAINLESS STEEL TUBE TYPE 304.**

NOTE:  
SPECIFICATION ARE SUBJECT TO CHANGE WITHOUT NOTICE  
ALL DIMENSIONS ARE IN INCHES

REVISION:	<b>A</b>	PRODUCT:	<b>EZ POOL LIFT EXT. ANCHOR</b>
SCALE	<b>N/A</b>	DATE:	<b>11/18/02</b>
DRAWN BY:	<b>MBT</b>	DWG #:	<b>F-1473</b>