

WOOD DECK ANCHOR

PRO POOL LIFT

400 LB. MAXIMUM CAPACITY

MANDATORY – LEAVE THIS MANUAL WITH LIFT OWNER

- READ CAREFULLY -

Check entire box and inside all packing materials for parts. Before beginning assembly, read the instructions and identify parts using the figures and parts listed in this document. It is critical that all parts be carefully inspected by the installer prior to installation to ensure that no damage occurred in transit and that a damaged part is not used. Proper installation cannot be overstressed, as an improper installation voids Aqua Creek's warranty and may affect the safety of the user.

PARTS LIST

ITEM #	QTY.	DESCRIPTION	PART USE / LOCATION
1	1	WOOD DECK ANCHOR	
2	1	TAMPER RESISTANT LID	

INSTALLATION INSTRUCTIONS

WOOD DECK INSTALLATION

1. Find the desired location of the lift. **NOTE: Check local codes for maximum water depth requirements.**
2. The setback for the front anchor bolt must be no more than 14 inches from the pool wall. **FIGURE 1**
3. Reinforce the decking by using additional 2X6 material bolted or screwed at a perpendicular angle to create an additional floor joist, and extending at **LEAST 6'** on either side of the anchor.
4. Place the lift at the desired location and mark the three anchor bolt hole locations.
5. Drill a 9/16" diameter hole at the three marked locations in step 4.
6. Mount the anchor through the deck surface using three (3) 1/2" X 4" hex head bolts, six(6) large 1/2" flat washers, and three (3) 1/2" hex nuts. **FIGURES 2 & 3**
7. The surrounding deck joists and decking must be properly reinforced. Aqua Creek Products is not liable for any wood deck installation.

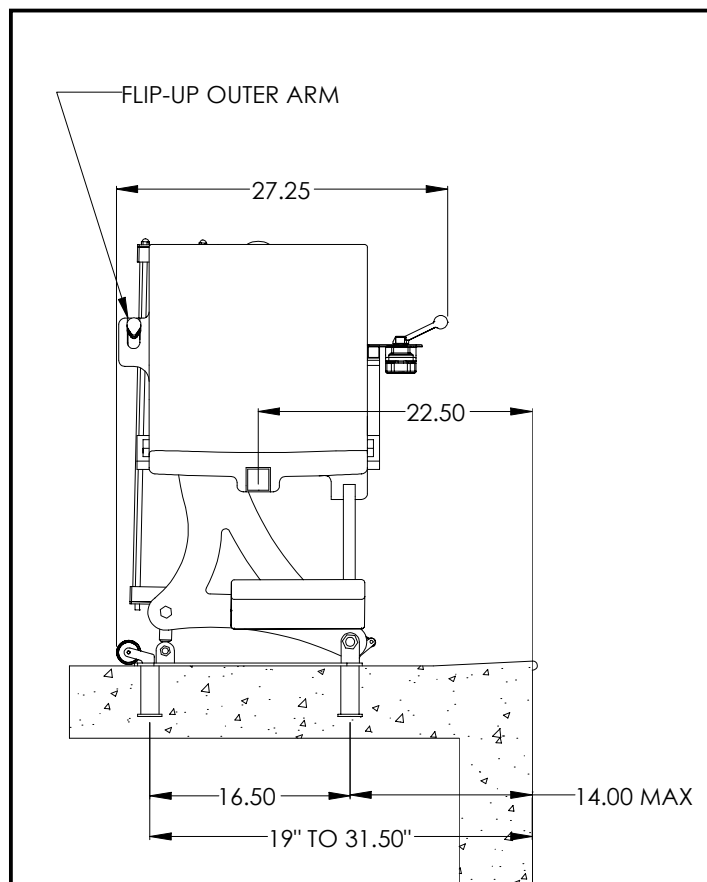


FIGURE 1

