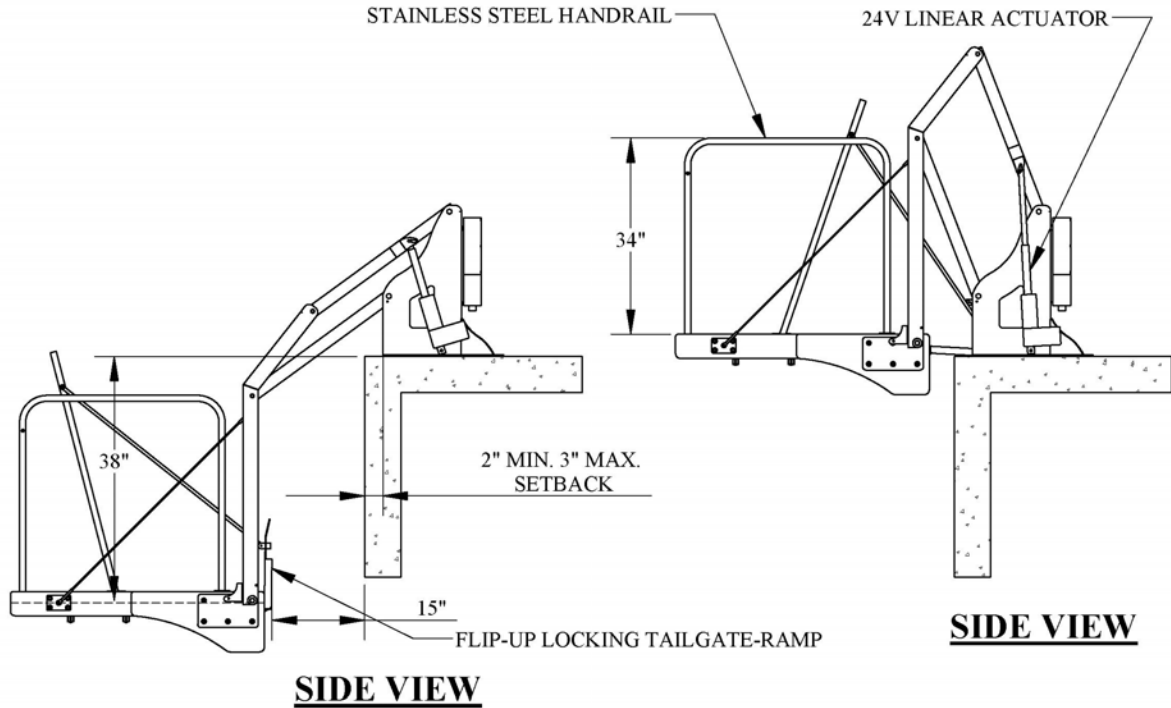
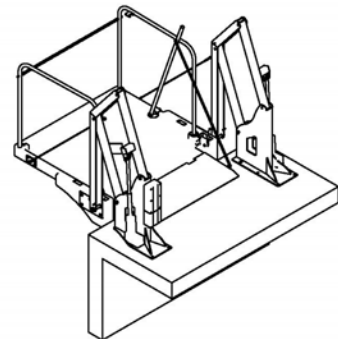


THE LIBERTY LIFT™



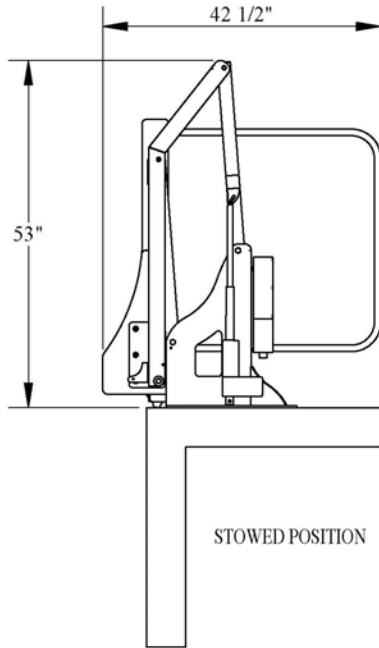
SPECIFICATIONS

THE LIBERTY LIFT SHALL BE A 24V DC BATTERY POWERED IN-GROUND POOL LIFT. THE LIFT SHALL BE DESIGNED TO SUPPORT 400 LBS. AND SHALL ACCOMODATE A USER WITH OR WITHOUT A WHEELCHAIR. THE LIFT SHALL LOWER INTO THE POOL TO A MAXIMUM DEPTH OF 38". THE ACCESS RAMP SHALL BE ATTACHED TO THE PLATFORM AND SHALL DOUBLE AS A TAILGATE WHILE THE LIFT IS IN USE. THE LIFT PLATFORM SHALL BE FLIPPED UP MANUALLLY AND LOCKED INTO THE STOWED POSITION WHILE THE LIFT IS NOT IN USE. WHILE IN THE STOWED POSITION THE LIFT SHALL NOT EXTEND OVER THE POOL EDGE. A 24 VOLT WATERPROOF CONTROLLER SHALL BE USABLE BY THE OPERATOR OR AN ATTENDANT. A CONTROL BOX, BATTERY CHARGER, AND ONE REMOVABLE 24V RECHARGABLE BATTERY SHALL BE INCLUDED WITH THE LIFT. THE LIFT FRAME SHALL BE TYPE 304 STAINLESS STEEL CONSTRUCTION. THE LIFT PLATFORM SHALL BE CONSTRUCTED OF ROTOMOLDED LLDPE AND SHALL BE 38" WIDE BY 40" LONG. THE LIFT SHALL CARRY A FIVE YEAR WARRANTY ON ALL STRUCTURAL COMPONENTS.



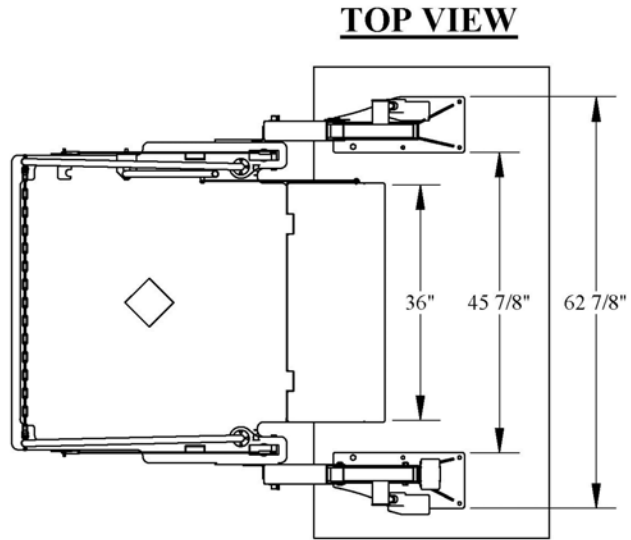
PRODUCT:	F-009LLB	
DWG#:	F-009LLB-1	
SCALE:	1:24	DATE: 09/10/06
DRAWN BY:	DS	REVISION: B

THE LIBERTY LIFT™

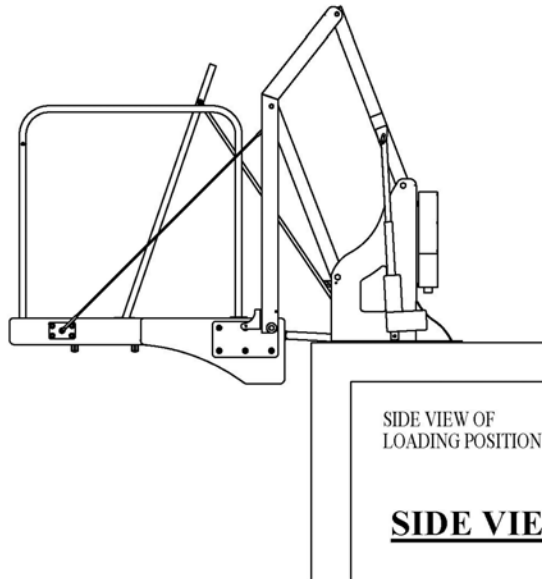


STOWED POSITION

SIDE VIEW



TOP VIEW OF LOADING POSITION



SIDE VIEW OF
LOADING POSITION

SIDE VIEW

PRODUCT:	F-009LLB	
DWG #:	F-009LLB-2	
SCALE:	1:24	DATE: 09/10/06
DRAWN BY:	DS	REVISION: B