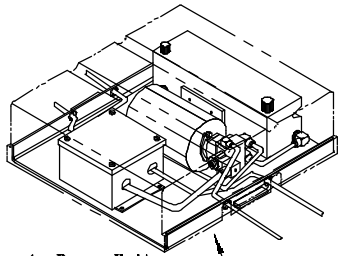


LOW PROFILE SCISSORS TABLE - EHLTX-3653-1-39

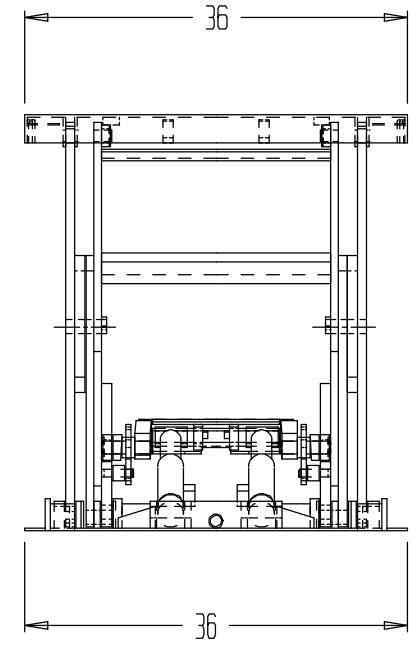
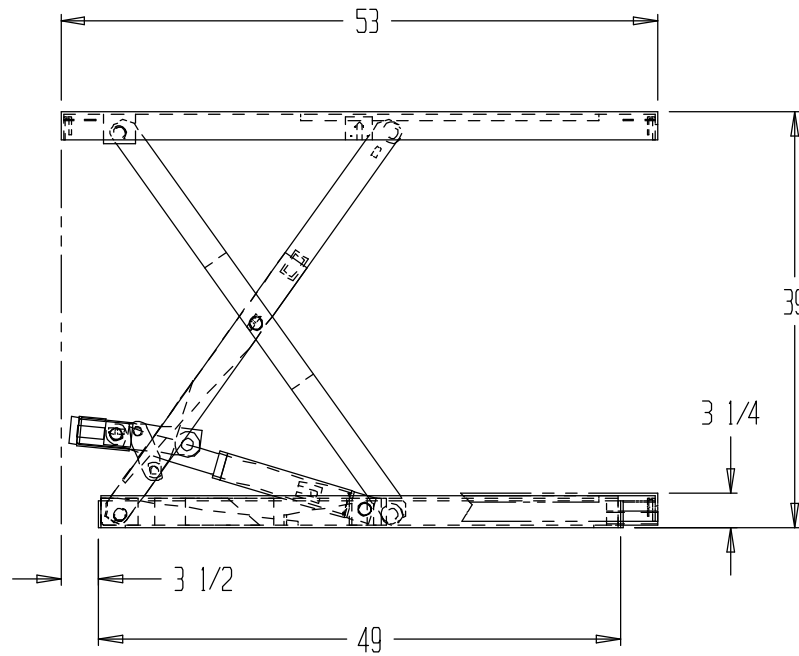


Remote Power Unit
Overall Dimensions:
24" x 24" x 8-1/2"

PLEASE CIRCLE SPECIFICATIONS:

POWER	AC	DC (12V)	AIR/OIL
MOTOR VOLTAGE	115	208	230 460
DEDICATED CIRCUIT REQUIRED			
MOTOR PHASE	SINGLE	THREE	
CONTROL	HAND	*FOOT	
* BATTERY CHRG.	REMOTE	ON-BOARD	
* CHRG. INDICATOR	YES	NO	

* DC REMOTE POWER UNIT WILL HAVE A LARGER FOOT PRINT



STANDARD FEATURES

- MODEL NUMBER EHLTX-3653-1-39
- PLATFORM WIDTH- 36"
- PLATFORM LENGTH- 53"
- PLATFORM RAISED HEIGHT- 39"
- PLATFORM LOWERED HEIGHT- 3 1/4"
- CAPACITY- 1,000 LBS
- TWO CYLINDER DESIGN
- CONTROL - HAND-24V RAIN TIGHT ON 8' CORD

*** STANDARD OPTIONS**

- _____ APPROACH RAMP WITH 32" WIDE CROWN ROLLER
- _____ 48" LONG LEVEL PLATFORM FOR RAMP
- _____ FOOT CONTROL WITH GUARD
- _____ ACCORDIAN SKIRTING (FACTORY INSTALLED)
- _____ ACCORDIAN SKIRTING (CUSTOMER INSTALLED)
- _____ 48" DIA. THIN SPIN CAROUSEL

(MOST DECK ADDITIONS DERATE THE TABLE BY AT LEAST 250 LBS)

PRODUCTION WILL START UPON RECEIPT OF SIGNED APPROVAL DRAWING

APPROVAL

I, the undersigned, hereby approve this print
 As drawn As marked
 This includes my approval of design & dimensions.
 Signed: _____
 Date: _____

**SPECIAL UNITS ARE NON-RETURNABLE
 *AVAILABLE AT ADDITIONAL COSTS

DISTRIBUTOR'S NAME: T & S EQUIPMENT		P.O.#:
DRAWN BY:		W.O.#:
DATE:	SALES:	
REFERENCE:	DRWG./FILE NAME:	
SCALE - 1:18		27-007-002-001