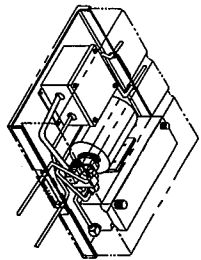
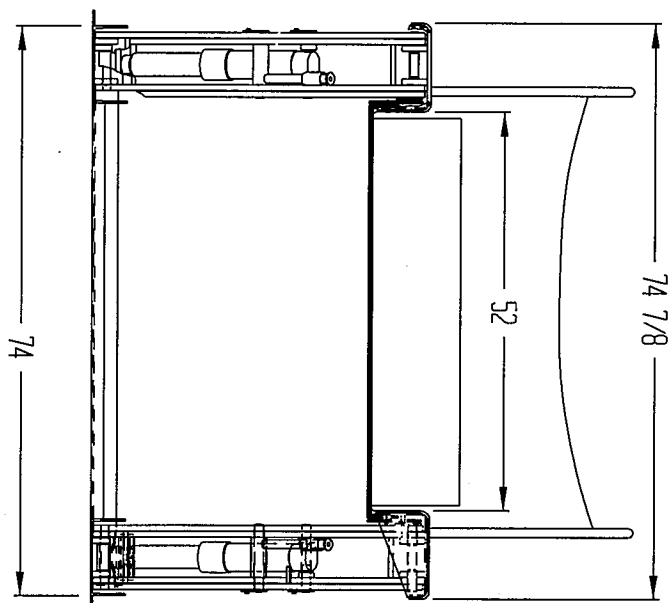
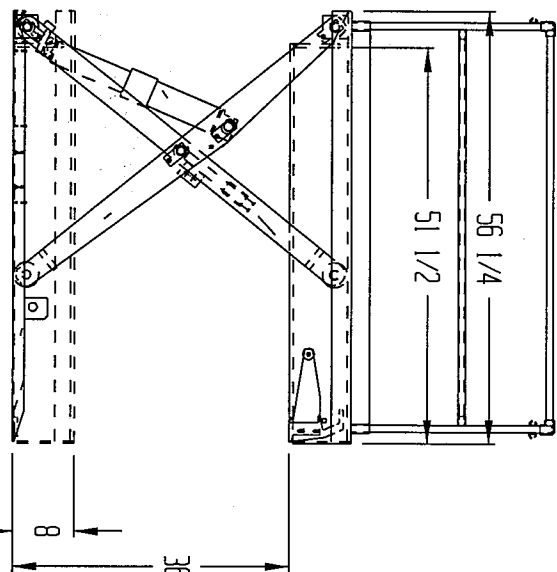


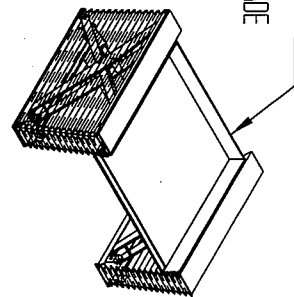
GROUND SCISSOR LIFT TABLE EHLTG-5250-2-36



Remote Power Unit
24" x 24" x 8 1/2"



12" HIGH
DROP BRIDGE



* OPTIONAL FEATURES -

- ___ ACCORDIAN SKIRT
(CUSTOMER INSTALLED)
- ___ 5 SIDED - ONE PIECE
- ___ 3 SIDED - TWO PIECE

- **** KICK OVER BRIDGE PLATE
- **** HAND RAILS W/ CHAIN GATES

PLEASE CIRCLE SPECIFICATIONS:

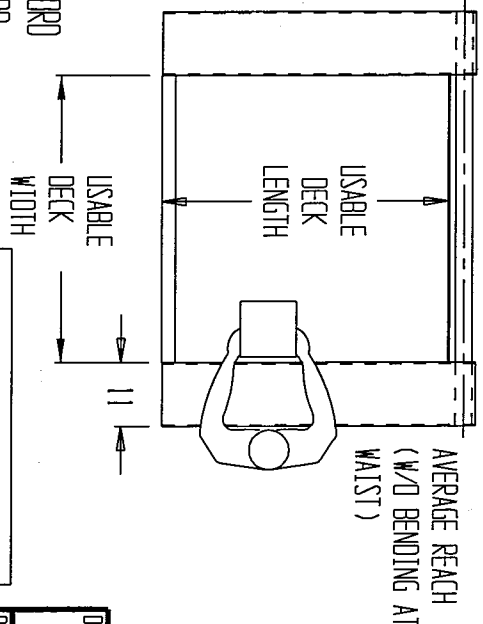
POWER	AC	AIR/DIRT
MOTOR VOLTAGE	115 208 230 460	
DEDICATED CIRCUIT REQUIRED		
MOTOR PHASE	SINGLE	THREE
CONTROL	*HAND	FOOT

APPROVAL

I, the undersigned, hereby approve this print
 As drawn As marked
 This includes my approval of design & dimensions.
 Signed: _____
 Date: _____

STANDARD FEATURES:

- MODEL NUMBER EHLTG- 5250-2-36
- PLATFORM WIDTH (USABLE)- 52"
- PLATFORM LENGTH (USABLE)- 50"
- OVERALL WIDTH- 74"
- OVERALL LENGTH- 56"
- PLATFORM RAISED HEIGHT- 36"
- PLATFORM LOWERED HEIGHT- 12"
- CAPACITY- 2000 LBS
- CONTROL- GUARDED FOOT CONTROL-24V ON 8' CORD
 * HAND CONTROL RAIN TIGHT ON 8' CORD



CHECK IF SPECIAL
 **UNITS ARE NON-RETURNABLE
 *AVAILABLE AT ADDITIONAL COSTS

PRODUCTION WILL START UPON
 RECEIPT OF SIGNED APPROVAL
 DRAWING

DISTRIBUTOR'S NAME:

T & S EQUIPMENT

P.O.#:

W.O.#:

DRMAN BY: S ROSE

DATE: 8-6-02

SALES:

REFERENCE:

DRMG./FILE NAME:

Scale: 1:25

EHLTG-CG