



MAKERS OF STAND AID AND ROLL AID

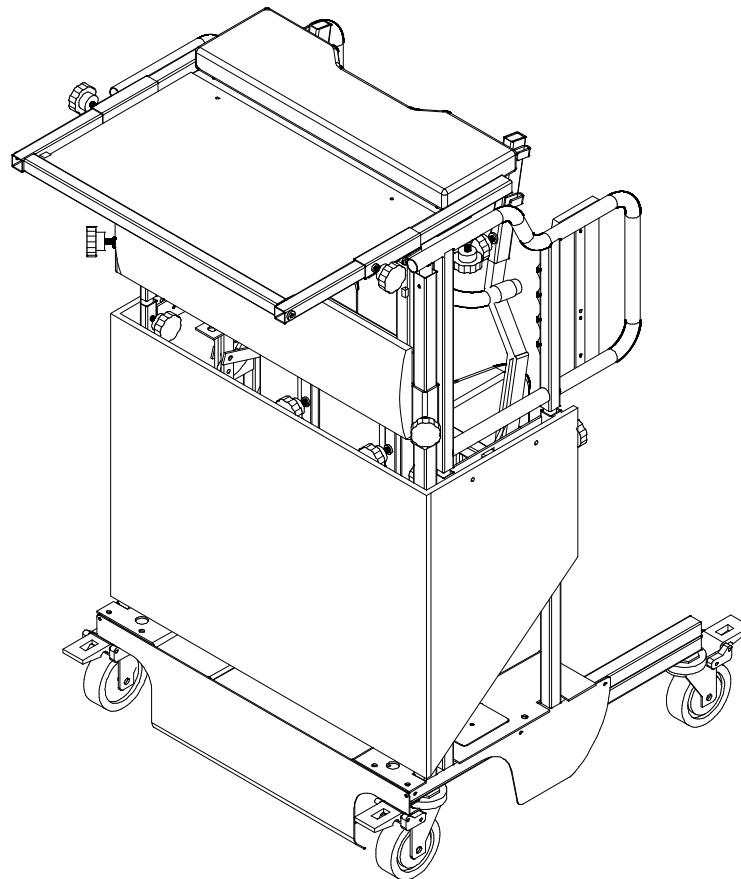
STAND AID
MODEL 1501

PO BOX 386
Sheldon, IA 51201
1-800-831-8580
1-712-324-2153 (In Iowa)
Fax: 712-324-5210

**INSTRUCTIONS AND WARRANTY FOR THE
STAND AID MODEL 1501
STAND AID SERIAL # _____**

STAND AID INFORMATION
OPERATING INSTRUCTIONS
REPLACEMENT PARTS

READ complete manual
CAREFULLY BEFORE
attempting operation.



CAUTION:

All Stand Aid models should be used only on level, smooth surfaces. Please exercise caution and good judgement when operating your unit.

INTRODUCTION

Thank you and congratulations on your purchase of the STAND AID Model 1501. We are certain the benefits you receive from standing with our Stand Aid will enhance your health and outlook on life.

GENERAL INFORMATION

After unpacking your Stand Aid, place any parts that are not attached to the Stand Aid on the floor, using the parts list to get familiar with the unit and parts. On the standard Stand Aid there should be no tools needed to adjust the unit for your standing pleasure. Check your packing list for the options that came with your unit.

Parts included in the standard unit, 1 – Safety Belt, 2 – Heel straps, 1 – Toe Strap, 1 – 4” Safety Gate Pad, and 1 – 2” Safety Gate Pad.

All Stand Aid models should be used only on level, smooth surfaces. Please exercise caution and good judgement when operating your unit.

Quick Overview of Standing Instructions

1. Adjust frame to desired height, making sure all knobs are tight.
2. Make sure table is adjusted high enough.
3. Open Safety Gate, place your feet onto the floor of the Stand Aid in the Heel Straps and Toe Straps.
4. After you are in the up position, close the Safety Gate into the locked position.
5. **Stand Aid recommends that you have someone there when you are standing for the first time.**

WHEN CALLING FOR SERVICE PLEASE HAVE THE SERIAL NUMBER OF YOUR UNIT READY FOR THE STAND AID REPRESENTATIVE. THIS WILL HELP IN THE SERVICING OF YOUR STAND AID PRODUCT.

STAND AID MODEL 1501
STANDARD FRAME
WITH “LIFT”

TABLE OF CONTENTS

Cover	Page #1
Introduction and General information	Page #2
Table of Contents	Page #3
Limited Warranty information	Page #4
Getting to know your Stand Aid	Page #5
Safety Precautions.....	Page #6
Parts Breakdown	Pages #7
Part List and Additional Options	Pages #8
Safety Gate and Back Support Options	Pages #9-10
Battery Installation	Page #11
Battery Charging Information / Preventive Maintenance	Page #12
Operating Instructions.....	Pages #13,14
Stand Aid Additional / Stand Aid Safety Switch	Page #15
Stand Aid Part Ordering Policies	Page #16

LIMITED WARRANTY

Each Stand Aid of Iowa, Inc. product has been carefully inspected and tested before shipment. Accordingly, we warrant each STAND AID which is sold against defects in workmanship and material under normal use for life, excluding the motor, drive train and electrical components which are warranted for one year and the batteries which are warranted for 90 days. This warranty shall not extend to and we shall have no responsibility with respect to products which have been abused, misused, altered or as to which repair has been made or attempted by others.

This warranty is made in lieu of all other warranties with respect to the product covered hereby and there are no other warranties, whether expressed or implied, of merchantability or otherwise, except the warranty expressly stated herein. The remedy set forth herein shall be the sole exclusive remedy of any purchaser with respect to any defective product. Under no circumstances shall STAND AID of IOWA be liable for any injury, loss, damage or expense suffered or incurred with respect to any misuse of STAND AID of IOWA'S products.

If you have any questions or need further information, please feel free to call our offices at: 1-800-831-8580.

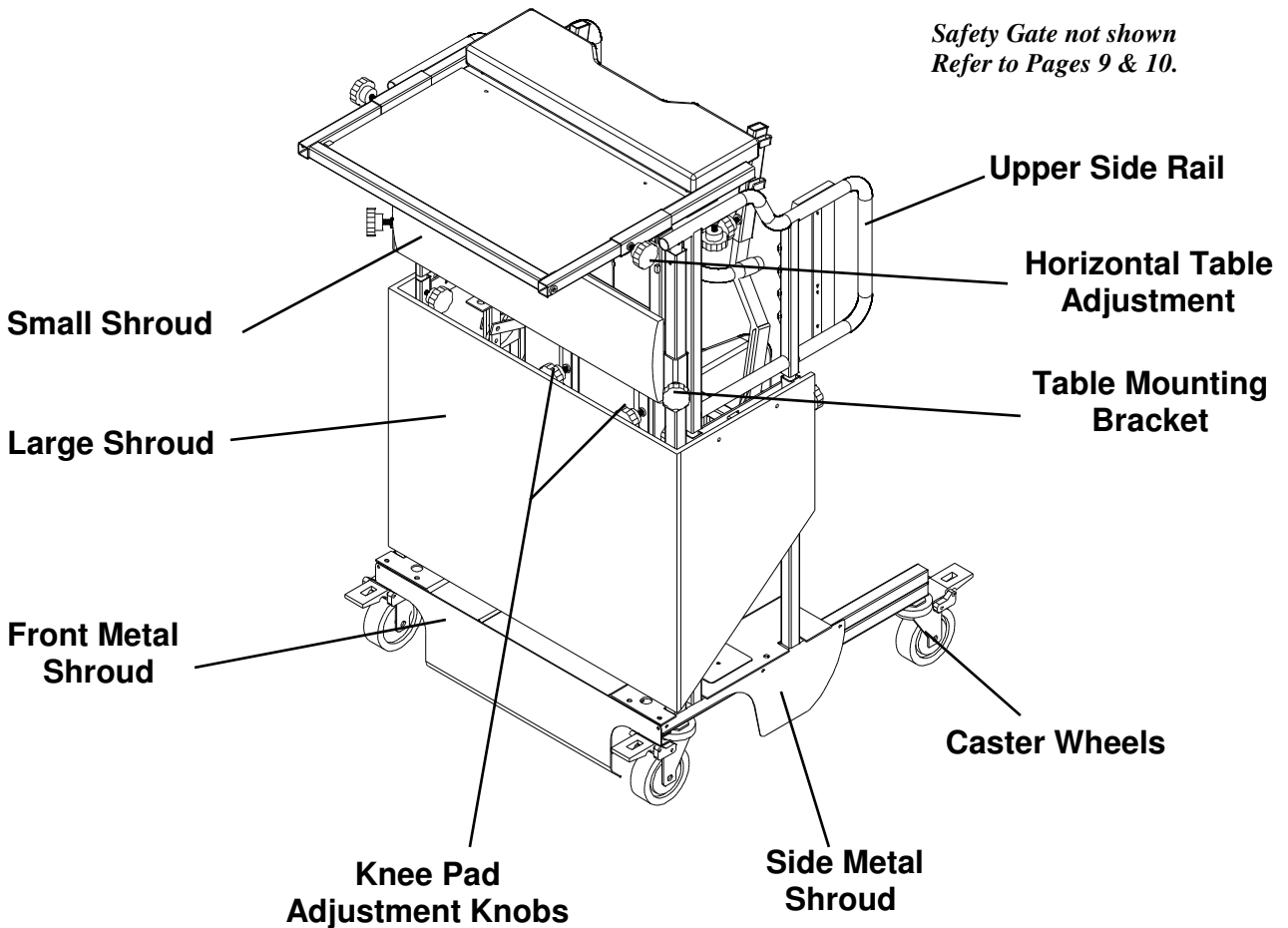
ATTENTION: IMPORTANT!

We ask that you take time to acquaint yourself with your Stand Aid, it's adjustments and controls. We highly recommend that someone assist you as you familiarize yourself with the unit.

Again, we remind you to use your Stand Aid only on level, smooth surfaces.

INSTRUCTIONS FOR STAND AID MODEL 1501

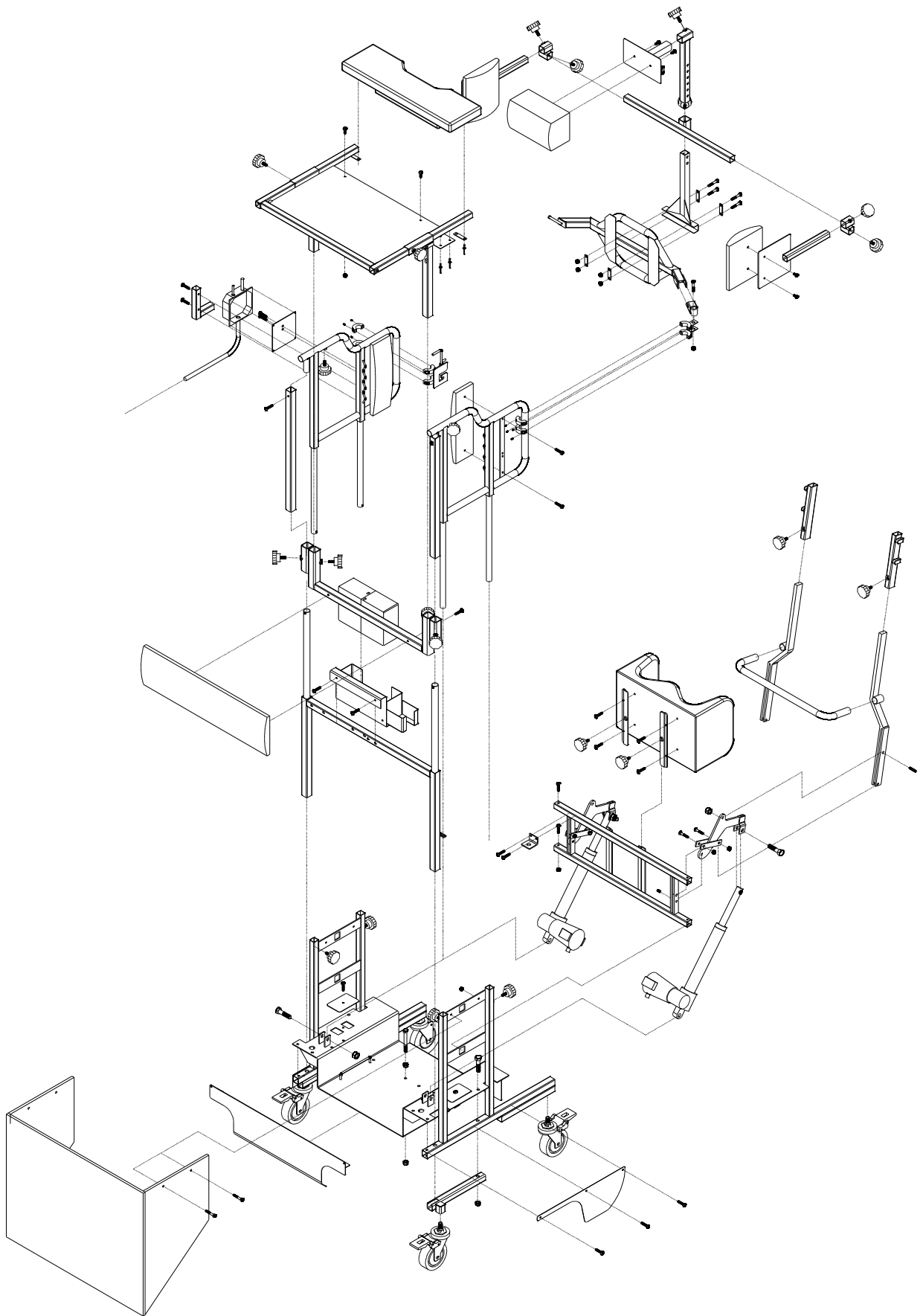
Remove the table from the lower half of the Stand Aid unit and place it in the table mounting bracket. Remove the safety gate pads that are packed behind the table.



SAFETY PRECAUTIONS

READ THIS BEFORE OPERATING YOUR UNIT!!!!

1. If at all possible have an attendant help you with the first several stands, to help with adjustments of the unit for your comfort and safety.
2. Always use on a level and smooth surface.
3. Never operate the unit if it appears damaged.
4. Never operate the unit if it is not operating correctly, consult our service department.
5. Never raise or lower the lift with hands on or by the lift arms or lift arm linkage.
6. Keep all body parts away from moving parts on the unit at all times.
7. Always keep younger children away from this unit. Never allow younger children to operate this unit.
8. Always try to keep the unit in proper working condition.
9. Replace Battery if it is damaged or leaking, dispose of damaged battery.
10. When Stand Aid is not in use always unplug the power source from the battery (1501) or batteries (1502 & 1503).
11. Always make sure that the sling is positioned correctly under the buttocks and the D-rings of the sling are on the lift hooks properly.
12. Always unplug the key from the Stand Aid when unit is not in use.
13. Never operate the Stand Aid lift arms while the Safety gate is in the locked position.
14. Never run the lift switch and safety switch at the same time.



STAND AID MODEL 1501 PARTS LIST

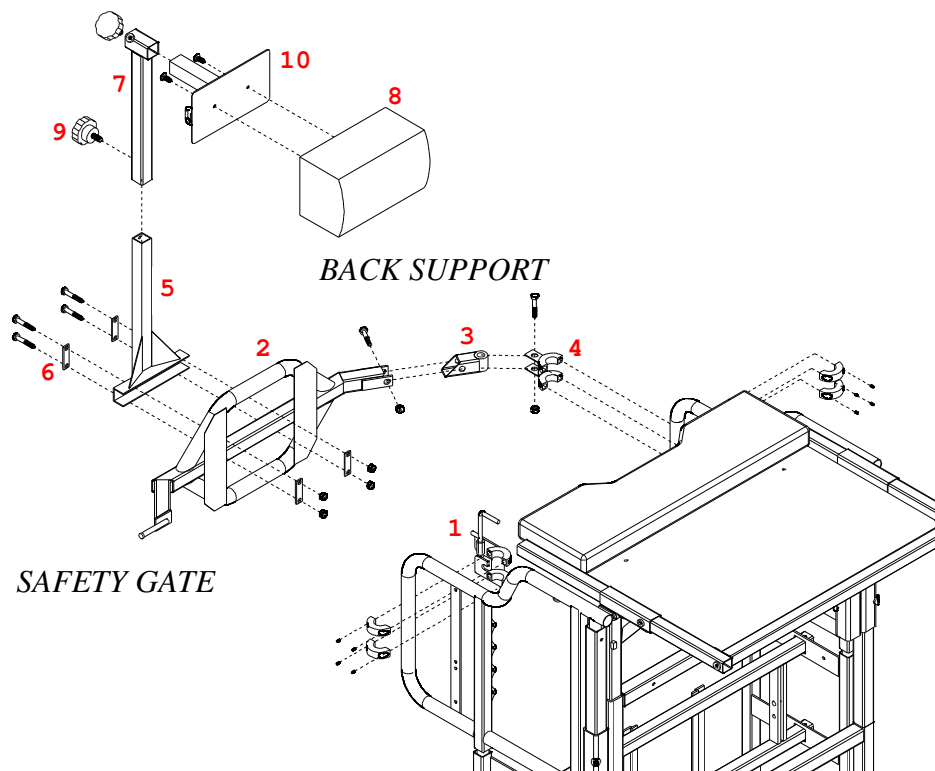
REF. #	PART #	QTY.	DESCRIPTION
1.	85002002	1/1	Lower Side Rt/Lt.
2.	85002003	1	Lower Front
3.	85002000	1/1	Upper Sides Rt./Lt.
4.	85002007	1	Floor Pan
5.	85002019	1/1	Table Hinge Rt./Lt.
6.	85002004	1	Table Frame
7.	85002001	1	Knee Pad Bracket
8.	85002029	2	Frame Tube Insert
9.	85002008	2	Knee Pad Slide
10.	85002006	2	Floor Pan Top Cover Plate
11.	25003029	1	Right Lift Actuator
12.	25003028	1	Left Lift Actuator
13.	85002033	1	Front Shroud
14.	85002032	1	Battery Pan
15.	25003017	1	Battery
-	25003018	1	Battery Charger (<i>not shown</i>)
16.	85002009	1	Table Slide Bracket
17.	26003021	1	Small Shroud
18.	26003022	1	Large Bottom Shroud
19.	26003002	1	Knee Pad
20.	26003003	1	Table Pad
21.	26003023	2	Hip Pad
22.	85002013	2	Table Clip
23.	82002040	1	Right Lift Arm
24.	82002002	1	Left Lift Arm
25.	85002015	1	Hold Bar
26.	82002005	1	Right Lift Arm Slide Hook
27.	82002006	1	Left Lift Arm Slide Hook
28.	85002026	2	Side Shroud
29.	85002031	1/1	Front Caster Mount (Rt. & Lt.)
30.	85002020	2	Lift Pivot Arm
31.	85002011	4	Linkage Plates
32.	85002024	1	Switch Mount Plate
33.	25003033	1	Control Switch
34.	85002010	1	Control Switch Guard
35.	25003008	4	Caster Wheel
36.	25003000	14	Adjustment Knob
37.	85002018	1	Chest Pad Mount
38.	82002017	1	Table Plexi Glass
39.	26003007	2	Heel Strap (<i>not shown</i>)
40.	26003008	1	Toe Strap (<i>not shown</i>)
41.	26003024	1	Sling w/ rings (<i>not shown</i>)
42.	85002017	1	Safety Switch Mount
-	25003034	1	Safety Switch

Please order parts by
PART NUMBER and **DESCRIPTION.**

(optional) SAFETY GATE With BACK SUPPORT

The “SAFETY GATE” easily attaches to the frame of the Stand Aid to give you added support. One four-inch pad and one two-inch pad will accompany the Safety Gate. It will depend on the physical build of the user as to what pad will be used. These pads are placed on the Safety Gate for comfort and security. This latch can be mounted on either side of the Stand Aid.

The “SAFETY GATE BACK SUPPORT” can also be added for those requiring more back support. This attachment easily clamps onto the Safety Gate.



Parts List

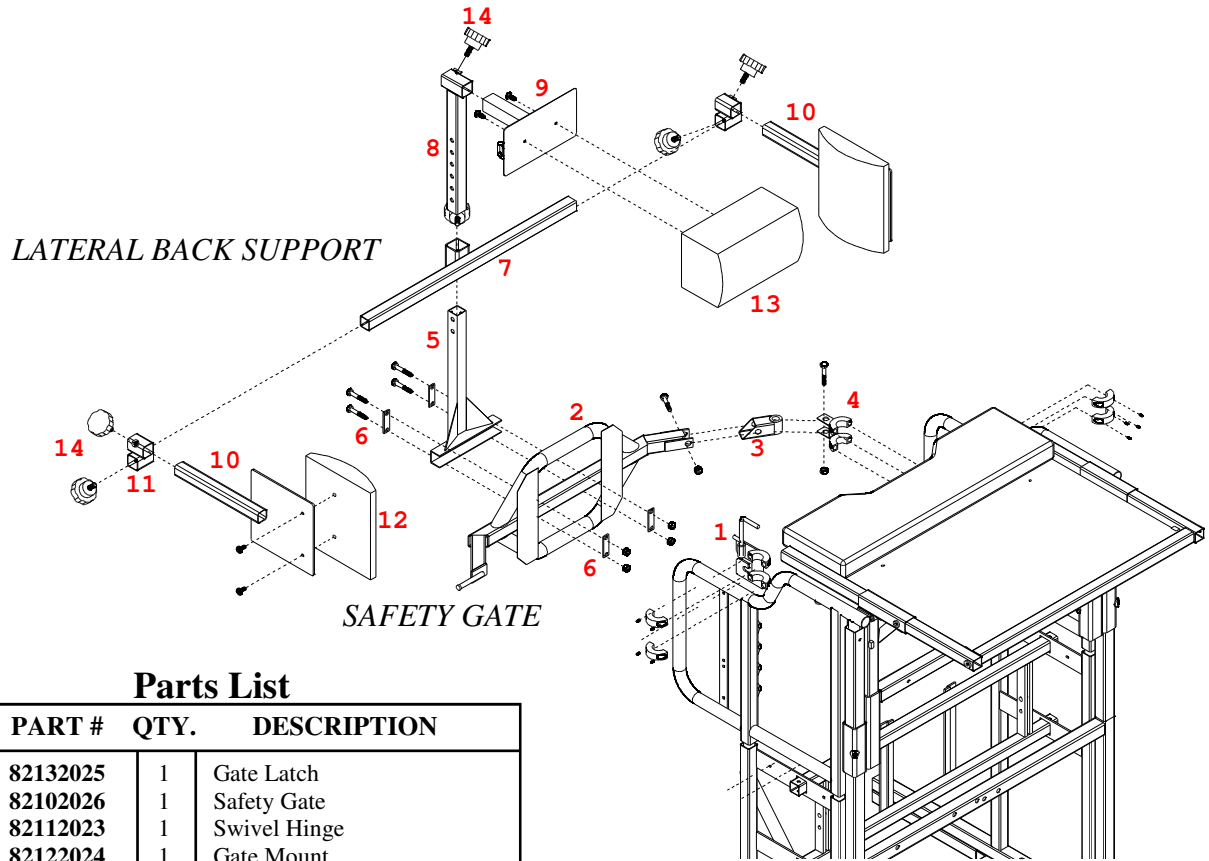
REF. #	PART #	QTY.	DESCRIPTION
1.	82132025	1	Safety Gate Lock
2.	82102026	1	Safety Gate
-	26003009	1	Safety Gate Pad (not shown)
3.	82112023	1	Swivel Hinge
4.	82122024	1	Gate Mount
5.	82002036	1	Back Support Mount
6.	82002045	4	Back Support Mount Links
7.	82262022	1	Back Pad Mount/Adjust
8.	26003010	1	Back Support Pad
9.	25003000	2	Adjustment Knob
10.	82252034	1	Top Pad Mount

Assembly Instructions

1. Attach the safety gate assembly (#2, #3 , & #4) Left or Right by tightening the gate mount (#4) clamps around tube. Height adjustment may be required later.
2. Mount the back support mount (#5) to the safety gate using the mounting strips (#6), and 1/4" x 1-1/2" bolts.
3. Assemble the back pad (#8) to the back pad mount (#10) with 10-24 x 1/2" bolt. Slide this assembly into the back pad adjust (#7), and then over the back support mount (#5), secure at the desired position with the adjusting knobs (#9).

(optional) SAFETY GATE LATERAL BACK SUPPORT

The “SAFETY GATE and LATERAL BACK SUPPORT” can also be added for those requiring more back support. This attachment easily clamps onto the Safety Gate and comes with an extra safety belt to hold the upper body snug against the back rest. This Kit includes the Safety Gate kit without the standard back support. The standard back support is replaced with the back support below.



Parts List

REF. #	PART #	QTY.	DESCRIPTION
1.	82132025	1	Gate Latch
2.	82102026	1	Safety Gate
3.	82112023	1	Swivel Hinge
4.	82122024	1	Gate Mount
5.	82202029	1	Back Support Mount
6.	82002045	4	Back Support Mount Links
7.	82222031	1	Back Support Adjust
8.	82212030	1	Back Support Vertical Slide
9.	82252034	1	Back Pad Mount
10.	82002038	2	Outside Pad Mount
11.	82002037	2	Slide Adjust
12.	26003012	2	Outside Wide Pad
13.	26003010	1	Back Support Pad
14.	25003000	6	Adjustment Knob
15.	25003011	1	1/4" Lock Pin (not shown)

2. Assemble the back support adjustment assembly (#5, #7, & #8) by sliding the tubes together, #8 slides into #7, and slides over the back support mount (#5), attach using lock Pin (#16) . Secure the adjusting knob (#15) at desired height. Attach this assembly to the safety gate using the mounting strips (#6) and 1/4" X 1-1/2" bolts and locknuts.
3. Attach the back pad (#13) to the back pad mount (#9) with 10-24 x 1/2" bolt. Insert this assembly into the back support vertical slide (#8), and secure with the adjusting knob (#14).
4. Attach the outside pads (#12) to the outside pad mounts (#10) using 10-24 x 1/2" bolts. Slide these assemblies into the slide adjust (#11). Slide these assemblies onto the back support adjust (#7), and secure with the adjusting knobs (#14). Width adjustment may be required later.

Assembly Instructions

1. Attach the safety gate assembly (#2, #3 , & #4) to the frame by tightening the gate mount clamps around tube. Height adjustment may be required later.

BATTERY INSTALLATION/REPLACEMENT

IMPORTANT: UNPLUG BOTH POWER SOURCE PLUG CONNECTIONS.

1. Cut wire ties that secure the battery in it's holder.
2. Unplug Electrical connections and replace battery. Dispose of old battery properly

<p>IMPORTANT: CHARGE NEW BATTERY FOR 10-12 HOURS BEFORE USING</p>
--

BATTERY CARE AND MAINTENANCE

Proper care of your battery will insure a long life and trouble free service. Stand Aid uses a sealed battery that **DOES NOT** require water and will not emit harmful vapors when charging.

If you use your lift unit extensively on a daily basis, charge your battery 2-3 times per week for 8-10 hours per charging session.

If you put your Stand Aid in storage the battery should be fully charged and recharged every 45 days. Never let your battery go completely dead. Keep the battery dry and do not lay any object on top of it.

In order to charge your battery; simply plug the charger into any standard wall receptacle.

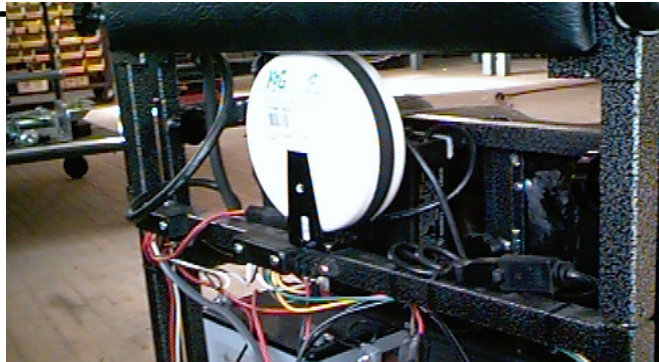
CHARGING PROCESS

FOR THE STAND AID MODEL 1501, PLUG THE POWER CORD INTO A WALL ELECTRICAL OUTLET, LOCATE THE REEL, WHICH IS BEHIND THE KNEE PAD (SEE PICTURE BELOW) PULL OUT THE CORD AND PLUG IN.

Please be advised that you can over-charge the battery. Stand Aid has changed the Battery Charger system. The current charger will give a slow trickle if the charger is left on the battery for a long period of time. Please use proper care, and try not to charge the battery more than 12 consecutive hours at one given time. This will help insure the battery's long life, and trouble free service.

IMPORTANT:

- NEVER CHARGE THE UNIT FOR MORE THAN 10-12 HOURS AT A TIME.
- NEVER OPERATE THE UNIT WHILE THE UNIT IS CHARGING.



PREVENTIVE MAINTENANCE AND REPAIR

- Keep all electrical connections clean and dry.

If the lift operates slowly, charge the battery for 18-24 hours. If the unit still operates slowly, you may need to change the battery. Replacement battery may be ordered by calling Stand Aid of Iowa at 1-800-831-8580.

CAUTION!! DO NOT OPERATE YOUR STAND AID LIFT ARMS WHILE CHARGING THE BATTERY!!

If one or both of the lift arms fail to operate, check all electrical connections by disconnecting, cleaning and reconnecting. If this does not remedy the situation, call 1-800-831-8580 and ask for the service department.

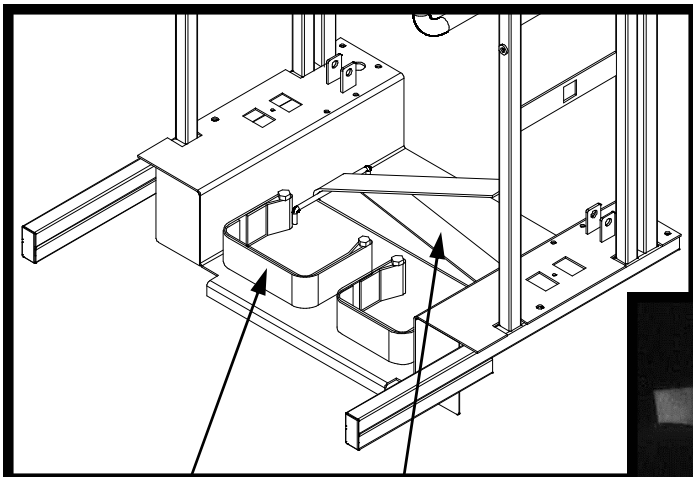
For any other repairs, maintenance or trouble shooting, please feel free to call during regular business hours from 7:00 A.M. to 5:00 P.M. CST.

OPERATING INSTRUCTIONS

Place the sling under your buttocks with the rings exposed on each side. Next, remove the footpads from your wheelchair and position the chair in the rear of the Stand Aid. Loosen the foot straps on the floor of the Stand Aid and place your feet on the floor. The strap that fits over the top of your instep should be snug but not tight. The heel straps should fit behind the heel to prevent the foot from slipping. Adjust the height of the kneepad so your knees are centered in the pad. The Kneepad may be adjusted by loosening the two black knobs behind the knee pad & positioning the pad correctly, then retighten the knobs.

The sling "D-rings" should slip easily onto the lift arm hooks. We recommend that the lift arm slide hook adjustment should be approximately midway between the hip and waist when you are in a standing position. After a few standing sessions, you will find the most comfortable setting for your slide hooks.

Once the sling "D-rings" are on the lift arm hooks, and sling correctly under your buttocks. Push the lift switch forward to lift yourself from the wheelchair to a standing position. Carefully lift yourself until your legs are straight and you feel comfortable. **IMPORTANT:** Exercise caution for the first several times you raise yourself to assure not only your safety, but your comfort as well. (refer to images below for visual reference.)



HEEL STRAP

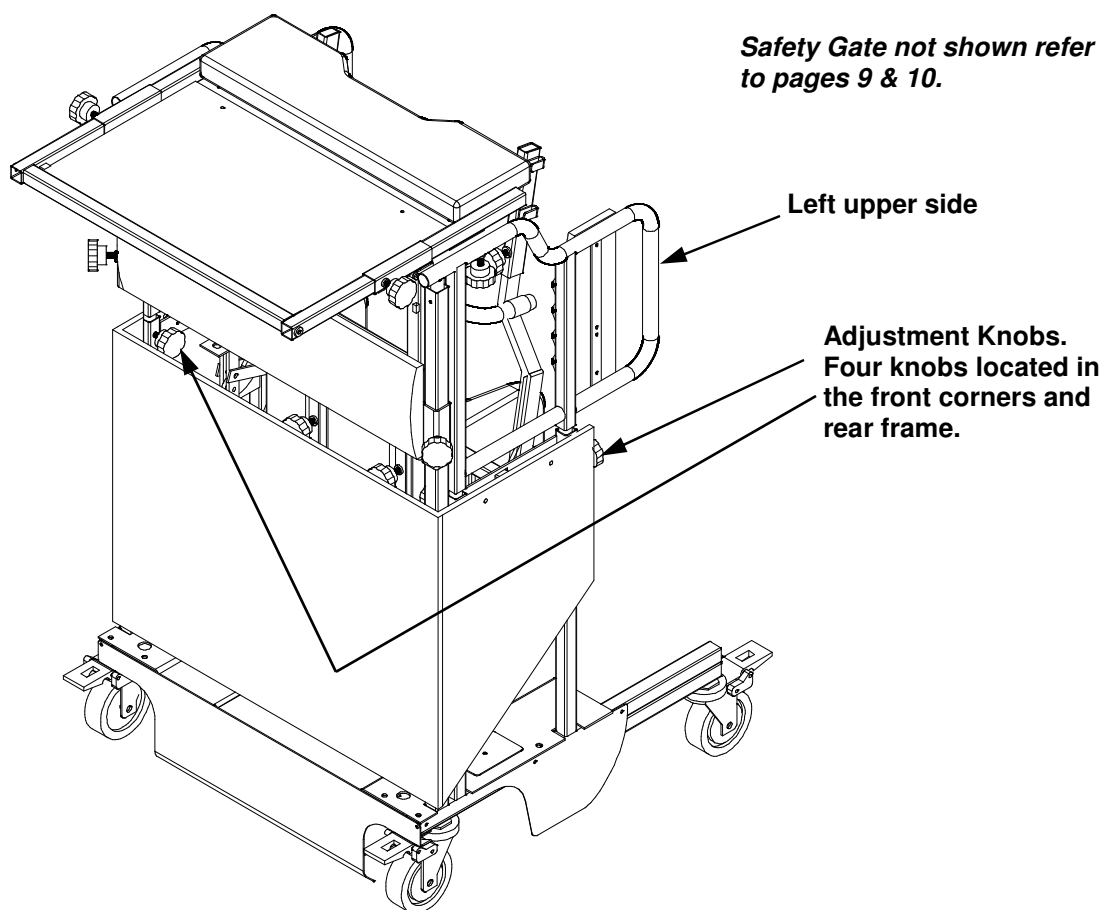
TOE STRAP



Once you have entered the Stand Aid 1501 and are in an upright position, close the safety gate behind you and adjust the unit to the correct height by loosening the four knobs for upper side adjustment. Raise or lower the upper side rails of the Stand Aid until the safety gate is supporting the lower half of the buttocks. Retighten all knobs. This adjustment is important to ensure that your buttock does not slide under the safety gate. If further adjustment is necessary you can move the safety gate and latch using a 3/16" allen wrench on the allen head screws. Use either one of the safety gate pads or both to support your buttocks against the safety gate. The velcro strips will keep the pads in place.

The table height adjustment is important for upper body positioning. The chest pad should be positioned near the bottom of the sternum, the point on your rib cage where your bottom two ribs meet. In order to maintain correct posture, the table may be adjusted in or out in order to align the upper and lower portions of your body. The safety belt hooks to the rings located under each side of the table frame just ahead of the chest pad.

Now that most adjustments have been made, check and retighten all knobs to ensure that your Stand Aid will remain in the proper position.



STAND AID ADDITIONAL OPTIONS

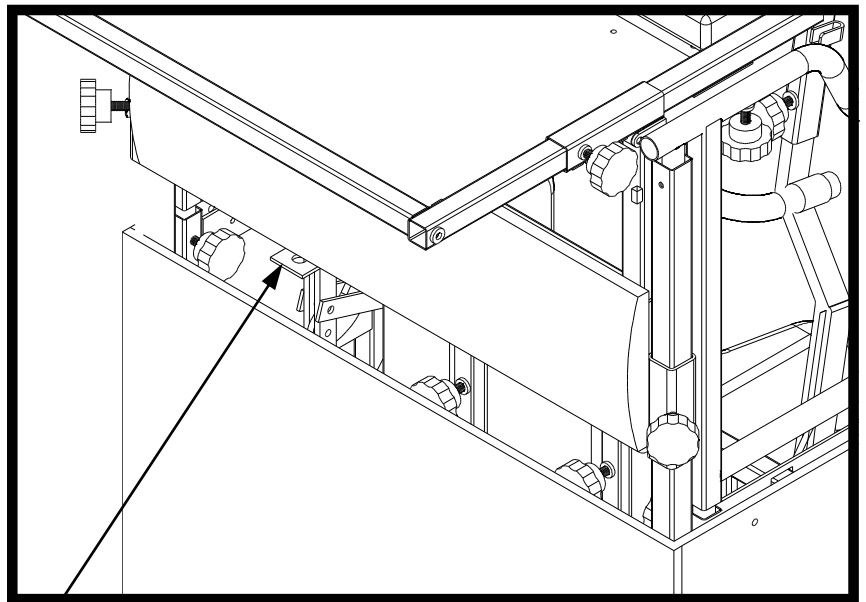
- Safety gate back support for those requiring more back support. (see page 9 & 10.)
- To accommodate larger wheelchairs, we offer caster brackets.
- For your safety and comfort, we carry a large selection of sling sizes.
- The drive kit option is available to those who wish to convert their 1501 Stand Aid to a model 1503 Lift and drive.
- Lateral support for more upper body support. (see page 10)

For any other special options or modifications, please feel free to call and ask for the engineering department at **1-800-831-8580**.

STAND AID SAFETY SWITCH

Stand Aid of Iowa has added a safety switch to the 1501 model. This switch is located in front of the knee pad and to the right; it is silver in color. The safety switch will allow the user to operate the lift mechanism on the Stand Aid, **ONLY** if the main lift switch fails, or will not operate while user is standing! If you experience problems with the main switch, use the back up switch, and call for a replacement **IMMEDIATELY**. This back up switch is intended to be a safety feature and not for everyday use.

Never run both the lift switch and the safety switch at the same time! This will cause electrical failure.



SAFETY SWITCH
(EMERGENCY USE ONLY)

STAND AID OF IOWA, INC.

PART ORDER POLICIES

SHIPPING:

ALL PARTS WILL BE SHIPPED ACCORDING TO THE CUSTOMERS SPECIFICATIONS; UPS, GROUND, AIR, FEDERAL EXPRESS OR OTHER MEANS. THE CUSTOMER WILL BE BILLED ACCORDINGLY.

PAYMENT:

ALL PARTS WILL BE SHIPPED C.O.D. THEY MAY BE PAID WITH ANY MAJOR CREDIT CARD OR THEY CAN BE PRE-PAID. THIS WILL PERTAIN TO ANY ORDER UNDER \$300.00 UNLESS OTHER ARRANGEMENTS HAVE BEEN MADE.

RETURN GOODS:

PLEASE CALL STAND AID OF IOWA SERVICE DEPARTMENT FOR A RETURN AUTHORIZATION NUMBER (RA#). WARRANTY PARTS AND EXCHANGE PARTS CAN BE RETURNED AT NO CHARGE. ALL OTHER PARTS WILL HAVE A 20% RESTOCKING FEE WITHIN THE FIRST 30 DAYS AFTER THE PURCHASE. AFTER 30 DAYS A 40% RESTOCKING CHARGE WILL BE THE RESPONSIBILITY OF THE CUSTOMER. ANY PART CUSTOM MADE TO THE CUSTOMERS SPECIFICATIONS WILL HAVE A 60% RESTOCKING FEE IF RETURNED WITHIN THE FIRST 30 DAYS. AFTER 30 DAYS ALL CUSTOMIZED PARTS CANNOT BE RETURNED. THE CUSTOMER WILL BE RESPONSIBLE FOR ANY SHIPPING COST BACK TO STAND AID WITH THE EXCEPTION OF WARRANTY AND EXCHANGED PARTS.

STAND AID SHIPPING AND SERVICE DEPT. 1-800-831-8580

STAND AID OF IOWA, INC.

PO BOX 386

SHELDON, IA 51201

1-800-831-8580

1-712-324-2153 (In Iowa)

FAX: 712-324-5210



MAKERS OF STAND AID AND ROLL AID

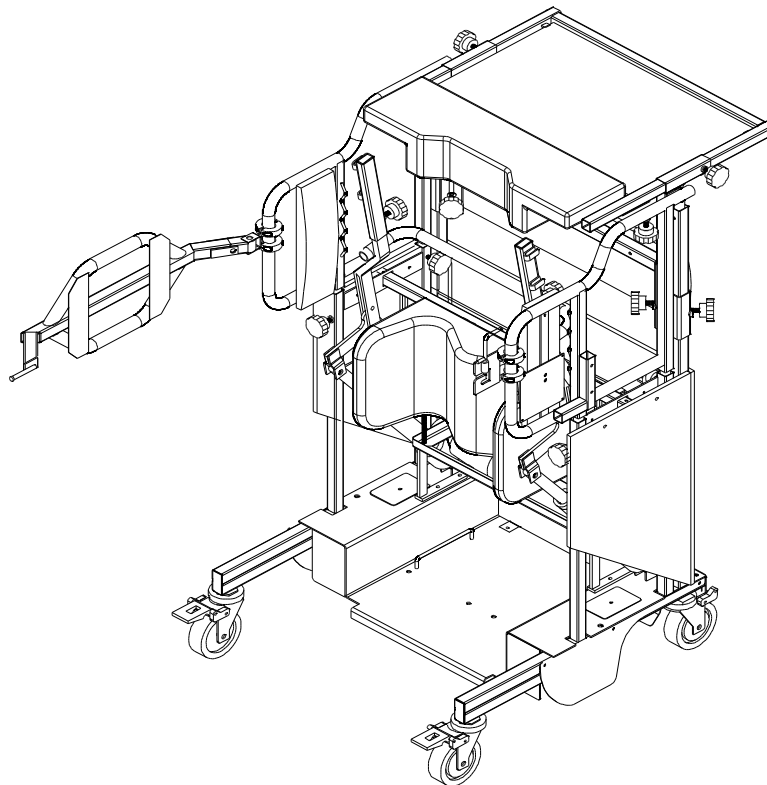
STAND AID

Model 1501

Standard frame with "Power Lift"

THE FOLLOWING IS A COMPLETE DESCRIPTION OF THE STAND AID #1501.

STAND AID; battery operated lift, brings a person from a seated to passive standing position. Adjustable frame to accommodate persons 4'2" to 7 ft. tall. Frame is constructed of steel, round and square. The table size is 12 x 20" plexiglass surface. Adjustable knee pad. Caster wheels in front forks with brake for easy movement; four 5" wheels, back wheels swivel. One 12 volt battery (includes battery charger) operated lift up and down. Adjustable lift arms for size of person, optional sling size upon request. Silver vein powder coat finish. Total weight of unit is 180 lbs.



STAND AID OF IOWA, PO BOX 386 Sheldon, IA 51201

Phone: 1-800-831-8580 – (712)-324-2153

Fax: 712-324-5210



MAKERS OF STAND AID AND ROLL AID

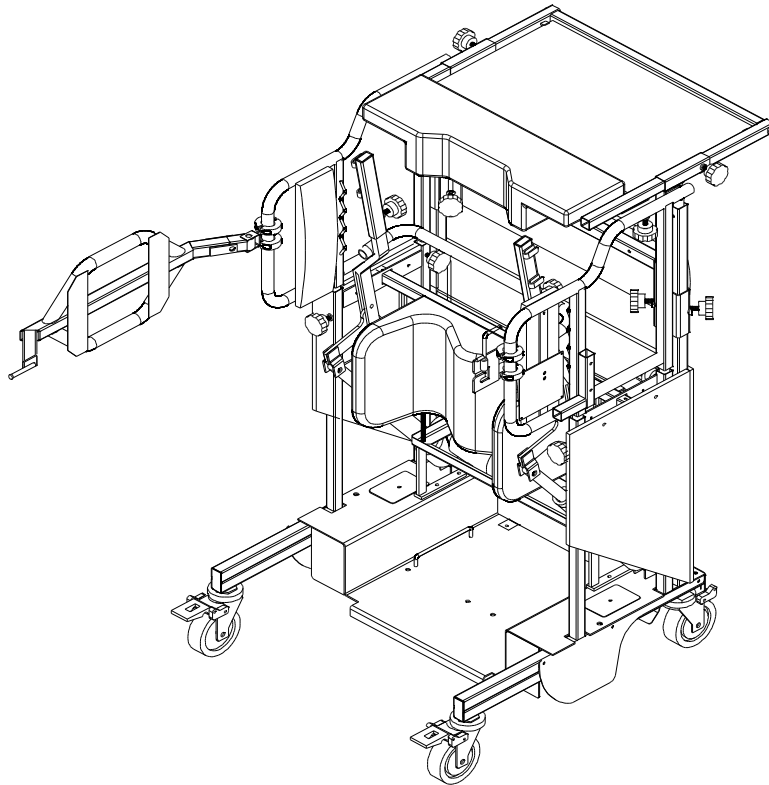
STAND AID

Model 1501 "EXTRA"

Standard frame with "Power Lift"

THE FOLLOWING IS A COMPLETE DESCRIPTION OF THE STAND AID #1501."EXTRA"

STAND AID; battery operated lift, brings a person from a seated to passive standing position. Adjustable frame to accommodate persons 4'2" to 7 ft. tall. The Primary benefit of the 1501 Extra is the Battery Operated upper side lift adjustment. This feature allows the caregiver to raise or lower the height of the table and side rails without using knobs or a second person. This adjustment can be made, by simply using the switch to raise or lower to the desired height. Frame is constructed of steel, round and square. The table size is 12 x 20" plexiglass surface. Adjustable knee pad. Caster wheels in front forks with brake for easy movement; four 5" wheels, back wheels swivel. One 12 volt battery (includes battery charger) operated lift up and down. Adjustable lift arms for size of person, optional sling size upon request. Silver vein powder coat finish. Total weight of unit is 180 lbs.



STAND AID OF IOWA, PO BOX 386 Sheldon, IA 51201

Phone: 1-800-831-8580 – (712)-324-2153

Fax: 712-324-5210