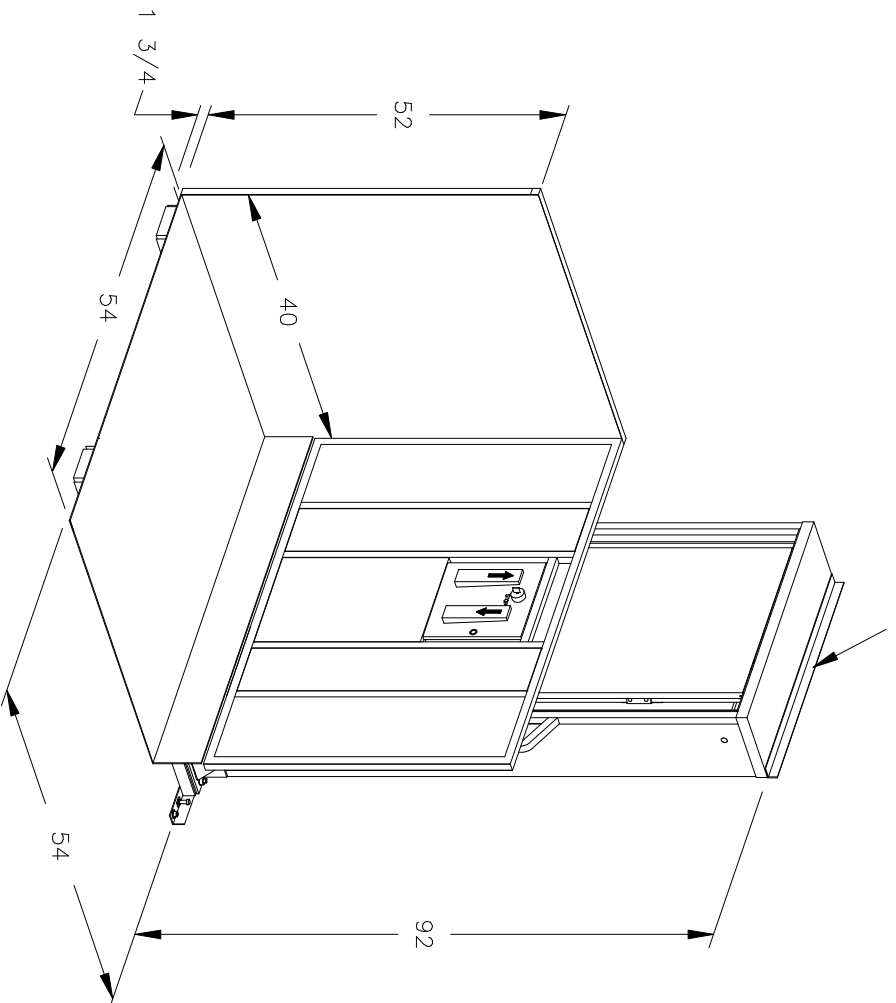


ATTACH TOP OF TOWER TO WALL



TRUS-T-LIFT DIMENSIONS


SPECIFICATIONS:

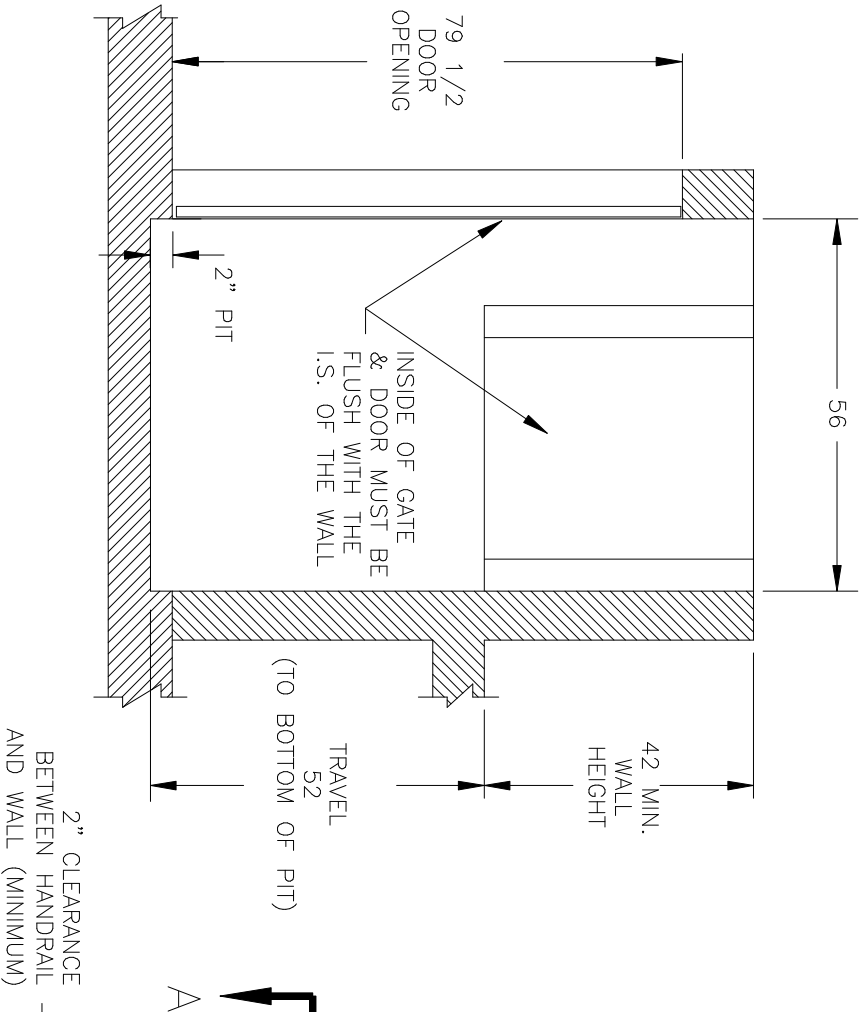
- 40" x 54" LIFT PLATFORM
- 54" x 54" FOOTPRINT
- 92" TOWER HEIGHT
- 0" - 52" LIFT RANGE
- MAXIMUM LOAD 550 lbs.
- 8 FEET/MINUTE LIFT SPEED
- SCREW NUT WORM GEAR DRIVE
- MOTOR: 1/2 H.P., 110V A.C.
- POWER SUPPLY: 110V/1PH/60HZ C/W 15A FUSED DISCON.
- NON-LOAD BEARING BACKUP SAFETY NUT ON LIFT SHAFT
- SAFETY HANDRAIL ON CARRIAGE
- ZERO-LOAD START IN BOTTOM POSITION
- SOLID PLATFORM

<input type="checkbox"/> Accepted as Shown
<input type="checkbox"/> Revise and Resubmit
<input type="checkbox"/> Accepted as Modified
Date: _____
Per: _____

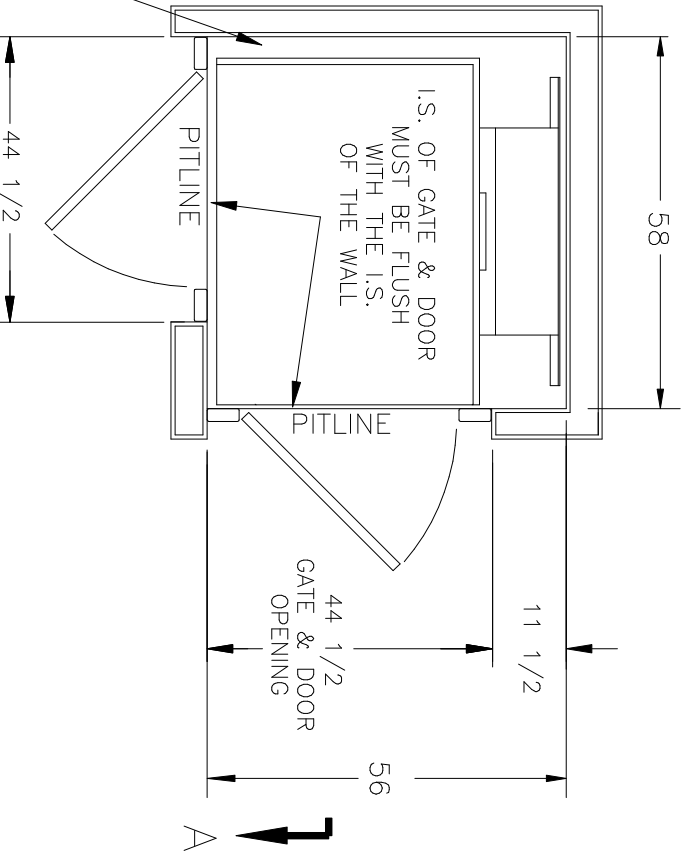
NOTES:
 - Dimensions are in inches
 - Designed and built to meet ANSI-A17.1 Safety Code

TOTAL TRAVEL	52	INCHES	No. OF LANDINGS	2
LOCATION	ENCLOSED TRUS-T-LIFT ADJACENT ACCESS SAMPLE DRAWING			
ARCHITECT				
GENERAL CONTRACTOR				

DWN. BY:		TRUS-T-LIFT ELEVATOR INSTALLATION DETAILS					
CHECKED BY:							
SCALE:	N.T.S.	DATE:	04/06/04	DRAWING No.	52UCREGDNAP	1/2	REV




SECTION A-A



PLAN VIEW SECTION

TOTAL TRAVEL	52	INCHES	No. OF LANDINGS	2
LOCATION	ENCLOSED TRUS-T LIFT ADJACENT ACCESS SAMPLE DRAWING			
ARCHITECT				
GENERAL CONTRACTOR				

DWN. BY:		TRUS-T-LIFT ELEVATOR INSTALLATION DETAILS					
CHECKED BY:							
SCALE:	N.T.S.	DATE:	04/06/04	DRAWING No.	52UCREGDNAP	2/2	REV