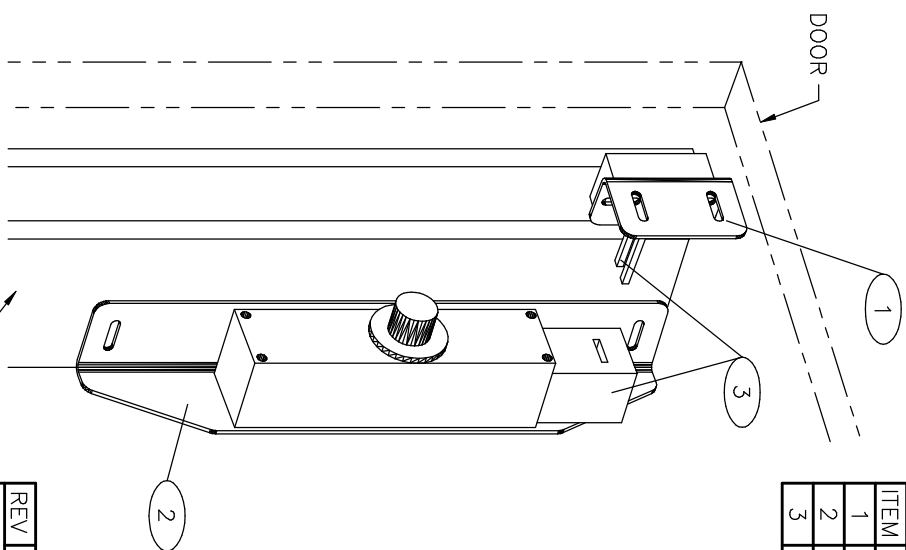
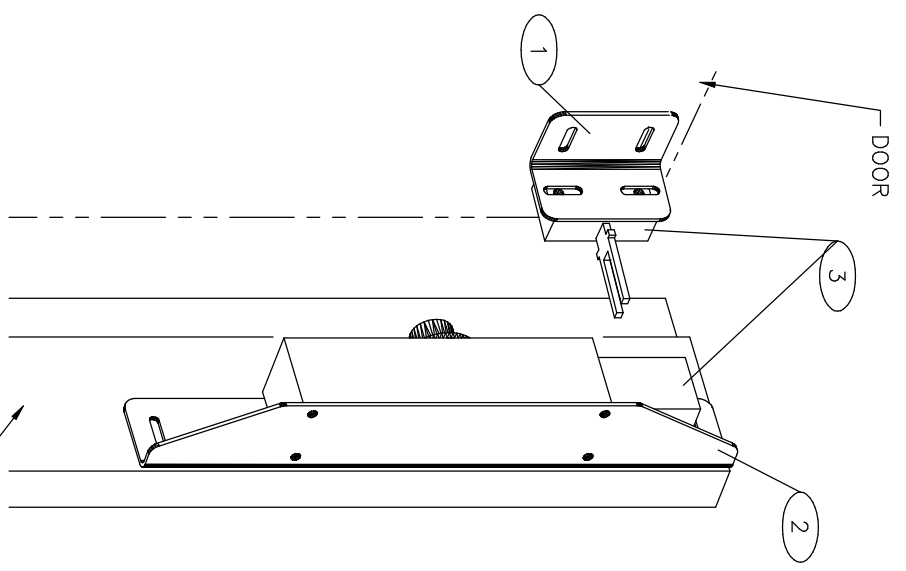


PARTS LIST			
ITEM	QTY	PART NUMBER	DESCRIPTION
1	1	FFBTC117	RES. DOOR TAB BRACKET - STI LOCK
2	1	FFBTC114	STI LOCK MOUNTING ANGLE
3	1		GATE STI INTERLOCK & TAB



VIEW #2 LOOKING FROM  
OUTSIDE OF SHAFT



VIEW #1 LOOKING FROM  
INSIDE OF SHAFT

REV	BY	DATE	DESCRIPTION

 **RAM MANUFACTURING LTD.**

DWN. BY:  
B. HANNAH

CHECKED BY:

SCALE: N.T.S.

TRUS-T-LIFT

RESIDENTIAL DOOR INTERLOCK  
ASSEMBLY - STI INTERLOCK

DATE: 13/12 /04

DRAWING No.  
AFBTC116

REV